

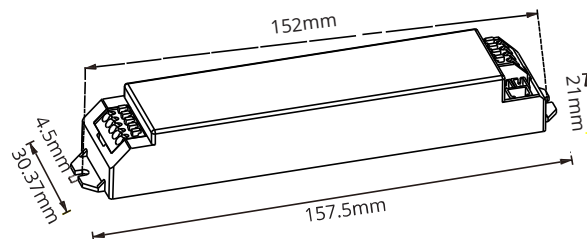
Item Description	Article number
LED Emergency pack for Venus G2	1000206

Technical data:

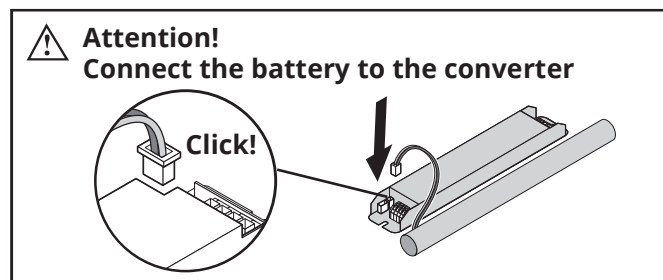
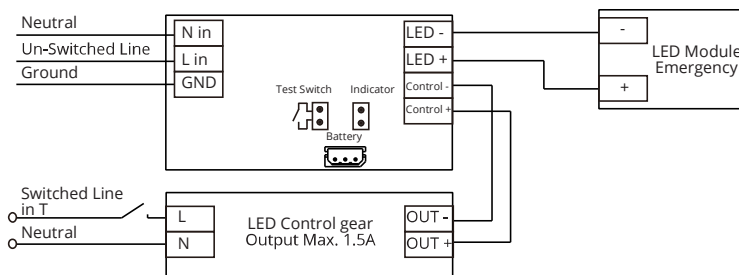
- Input rated voltage: 220-240V AC 50-60Hz
- AC input current 25-38mA
- AC Input power rated 3.5-4W max
- Power factor: >0.5
- Charge time ≥16 hours
- Output emergency power 2.5 watt constant power output
- Lumen: 200-250lm
- Output voltage DC10-90V
- Battery capacity (LiFePo4):1500mAh
- Battery Charging Current 200mA
- 3 hours rated duration
- Max. casing temperature tc 65°C

Standards: Dimensions:

EN61347-1
 EN61347-2-7
 EN61347-2-13
 EN 55015
 EN 61000-3-2
 EN 61000-3-3
 EN 61547



Wiring:



Auto-test function:

Function test with test switch

- 1) A short press on the button (>1s) starts a function test lasting 5 seconds (The battery's capacity should be more than 5% = 30min charging)
- 2) A long press on the button (>10s) resets the timer(System-resets)

Weekly function test

The 5 second long, weekly (each 7 days) function test serves to check the functionality of the emergency unit, the batteries and LED module.

Attention

-If a mains supply failure occurs whilst a functional test is in progress, the test shall be postponed and the system shall enter emergency operation. Following restoration of the mains supply, a postponed functional test shall re-commence automatically as soon as conditions permit.

Duration test

-Initial duration test: The test will be carried out 16/ 24 hours later after the initial installation.

-Half year duration test: The test will be carried out on each 180-182days.

Attention

-A duration test shall only be started when the battery supply is fully charged, if a mains supply failure occurs whilst a duration test is in progress, the test shall be postponed and the system shall enter in emergency operation. Following restoration of the mains supply, a postponed duration test shall re-commence automatically when the battery supply is fully re-charged.

-The indicator will be slow flashing Green within 5 days if the duration test has been carried out successfully.

LED Indication	Status	Comments
	Permanent green	Standby, System OK Mains Operation, battery is charged
	Fast flashing green (0.25s on-0.25s off)	Function test underway
	Slow flashing green (1 s on – 1 s off)	Duration test underway
	Permanent Red	Lamp failure Open Circuit or Short Circuit or LED failure
	Fast flashing red (0.25 s on – 0.25 s off)	Battery capacity failure Battery failed during duration test
	Slow flashing red (1 s on – 1 s off)	Battery failure Battery is defect or Incorrect battery voltage
	Green and red off	Battery Operation Emergency mode: Mains disconnected or Mains failure

Attention!

- Failure status: If an error is detected, the LED indicator switches to RED. If the error has been solved please re-connect the battery after the mains power has been switched off, the LED indicator immediately switches back to GREEN when mains power is switched on.

- Battery failed during duration test: After an exchange of the battery and holding down the button (>10S) reset the timer, the indicator LED switches to green.

Battery Declaration:

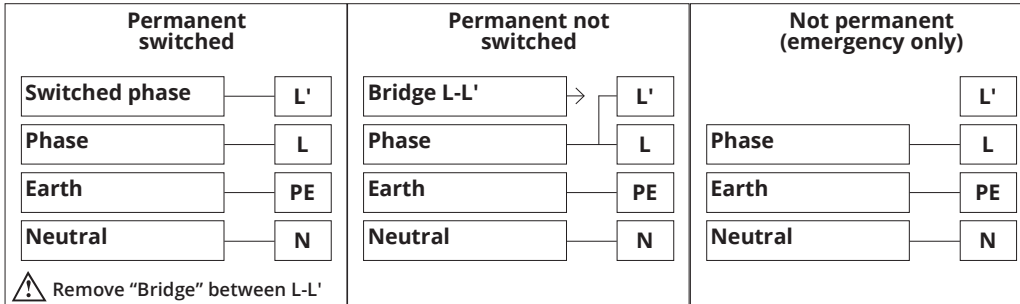
Battery lifetime is 4 years.

After 4 years the battery must be replaced.

⚠ Attention!

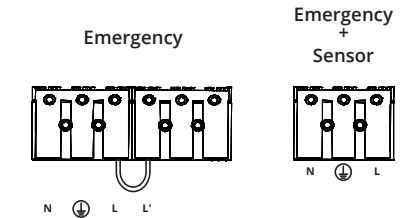
Phase wire can be connected to L or L':

When connected to L, the luminaire works purely as an emergency luminaire: only if the power fails. When connected to L', the luminaire works as an emergency luminaire and is switchable (L and L' must be connected together together, so that the emergency battery is charged).



⚠ Remove "Bridge" between L-L'

⚠ **ATTENTION!** Standard included the "Bridge" between L-L' for Permanent non switched connection. Remove the "Bridge" between L-L' for Permanent switched connection.

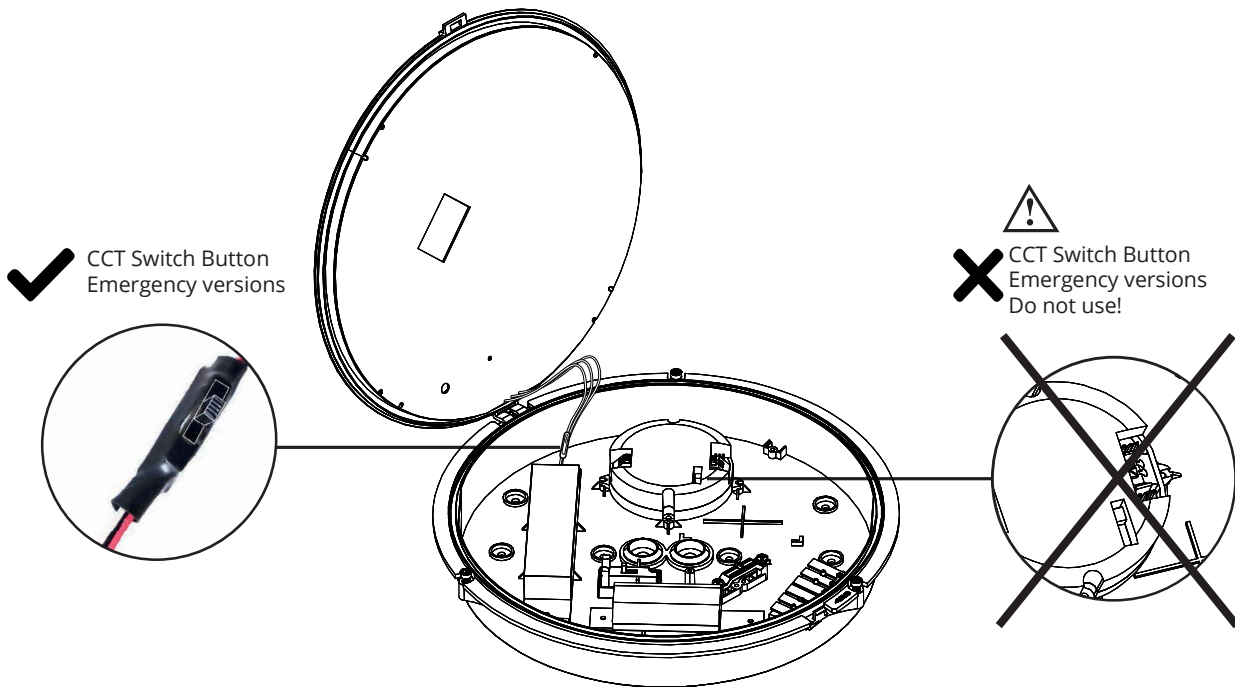


⚠ Standard Included "Bridge" between L-L'

Only for Permanent non switched installations

⚠ **ATTENTION!** CCT Switch Button for Emergency versions

Standard CCT Switch button doesn't work in the integrated emergency versions. The additional CCT Switch button in the cable should be use instead.



Warning ⚠

- Only qualified electrician is allowed to do installation, maintenance and inspection for safety concern. It is dangerous for non-professional operators.
- Power should be cut off before installation, maintenance or inspection.
- Please install and use the product strictly according to the instruction.
- Do not disassemble or remold the product at will to avoid accident of electric shock or light falling.