

CATALOGUE

LED PROFESSIONAL SOLUTIONS

04 Introduction
06 Pragmalux
08 Solutions
10 Assortment

14 Panels

30 Downlights

42 Tracklights

44 Spots

60 Ceiling lights

63 Pendant lights

67 Batten

68 Bulkheads

74 Waterproofs

82 Highbays

92 Floodlights

94 Symbols & Glossary

95 Warranty & General terms and conditions

PRAGMALUX[®]
PROFESSIONAL LIGHTING

Pragmalux[®]
Mispelhoefstraat 31
5651 GK Eindhoven
The Netherlands
+ 31 (0)85 130 89 79

info@pragmalux.com
www.pragmalux.com

Chamber of Commerce: 73864749
VAT: NL859691573B01

Bank details:
Rabobank in Eindhoven, Netherlands
IBAN: NL43RABO 0340 4367 86
SWIFT / BIC: RABONL2U

Part of PDL Lighting Group B.V

Catalogue 2019
Version 1
Volume 1.4

Publishing coordination
Pragmalux

Graphic design
Pragmalux

All rights reserved. Pragmalux retains the right to modify product specifications without any prior notice or obligation and does not assume any liability for any consequences of using this document. Subject to errors and printing errors.

WWW.PRAGMALUX.COM

FOLLOW US ON SOCIAL MEDIA:



FIND MORE INFORMATION AND DETAILS IN OUR WEBSITE

LED PROFESSIONAL SOLUTIONS





PRAGMALUX[®]
PROFESSIONAL LIGHTING

**USE TODAY
TOMORROW'S LIGHTING.**



European manufacturer of professional LED lighting

Pragmalux[®] is an European manufacturer and importer of professional LED lighting. The head office is located in the city of light Eindhoven, the Netherlands. Pragmatism, technological innovation, sustainability and reliability are our core values which are resulting in: practice-oriented, meaningful, proven and above all sustainable lighting solutions with an excellent service level. Within our philosophy, we view product developments from the field and focus on ergonomics, ease of use, durability and ease of installation, with which the fastest ROI and lowest TCO are achieved. This ideology forms the starting point in the design process (ODM) and is carried through in the production process (OEM) until the final installation, commissioning and maintenance.

Selective distribution network in Europe

Pragmalux - Professional Lighting - is exclusively distributed through a selective distribution network of wholesalers, retailers, lighting design studios, architects and installers. Our partners are having world-class skills in lighting advice and add value to the marketplace, among other things, professional lighting advice, consultancy, installation and maintenance services. Deliberately no "box sliders" and not available on every corner of the street, but with professional parties who actually add something special. Market parties with love and passion for lighting, industry and its dynamics and thereby commitment to the final result and user experience of the end customers.



PRAGMALUX

AS A PARTNER

Top quality

Our products are equipped with top quality components and materials. This guarantees a high efficiency, long operational lifetime and a world-class user experience.

Fastest installation

Our products are equipped with the smartest connectors that can easily be combined with existing and desired connection cables, plug & play and installed within 60 seconds. In this way contractors can install and maintain at full speed.

Best value for money

Pragmalux is distributed by exclusive distribution partners. This choice and a flat distribution model enable us to provide our products with the highest quality at a very competitive price point. We committed ourselves for more value for money

Fastest ROI and lowest TCO

Thanks to a flat distribution model, we offer our dealers and end users excellent conditions, and because of the high energy-efficiency and durability of our lighting systems, we offer the fastest ROI and lowest TCO of the industry



“PRAGMALUX DESIGN, PRODUCE, ADVICE AND MAKE TECHNICAL LIGHTING SOLUTIONS FOR PROFESSIONALS”

PRAGMALUX
PROFESSIONAL LIGHTING

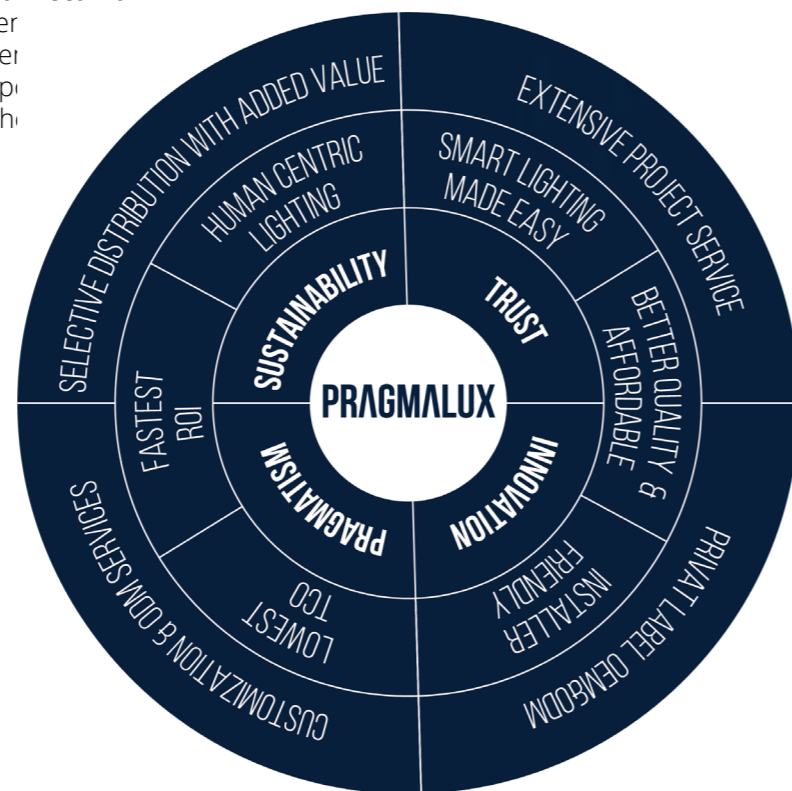
NEW RANGE ESSENTIALS

LED LUMINAIRE PORTFOLIO

Brand philosophy

The lighting solutions from Pragmalux fully meet the highest quality requirements and standards set by the International Electrotechnical Commission (IEC). Our products are made from the highest quality components. Major suppliers are global players such as Philips, Osram, Tridonic, LG, Everlight, Nichia, Samsung, BJB and many others. All of them global players in the field of lighting with a proven track record in the world of LED and smart lighting technologies. In addition, we only work with raw materials that can be reused. Our luminaires are almost 100% recyclable.

Our range consists for a large part of professional interior lighting. The emphasis is on the following segments: Facility, Industry, Retail, Hospital and Residential Buildings. We aim to expand our existing package in 2020 and 2021 to a full luminaire assortment, with both indoor- and outdoor luminaires. We will always provide our luminaires with the latest technologies and will always translate these technologies into pragmatic and comprehensible products. In the coming years, we will introduce more and more smart products that seamlessly connect with building management systems, thereby gaining ever sight into the various aspects and benefits of high-end systems. Always with our core values as a starting point should promote the ergonomics and well-being of the



PRAGMATIC SOLUTIONS INNOVATIVE, FUNCTIONAL & DESIGN

LED PROFESSIONAL SOLUTIONS



UP to 10 years Limited Warranty

We offer a 3,5,7 and up to 10 years limited warranty on our products. In this way we give our commitment for high quality and sustainable lighting solutions. Every product is designed for specific circumstances. The parameters are shown in detail on the technical data sheets. Our terms and conditions for limited warranty can be consulted in this catalogue.



OUR ASSORTMENT PRAGMATIC SOLUTIONS

PANELS

Pages 14-29



Essence
P. 14



Essence UGR
P. 16



Sigma
P. 18



Sigma UGR
P. 20



Tornado UGR
P. 22



Elite
P. 24



Clue
P. 26



Pendo
P. 28

DOWNLIGHTS

Pages 30-41



Essence
P. 30



Spectre
P. 32



Cloud
P. 34



Zone
P. 35



Mars Round
P. 36



Mars Square
P. 37



Tano
P. 38



Lindo
P. 40

TRACK LIGHTS

Pages 42-43



Allure
P. 42

SPOTS

Pages 44-59



Essence
P. 44



Alpha
P. 45



Apollo Round
P. 46



Apollo Square
P. 47



Aura
P. 48



Boxy
P. 49



Delta
P. 50



Orion
P. 51



Lena 1
P. 52



Lena 2
P. 54



Lena 3
P. 55



Lena 3 Round
P. 56



Sky Pendant
P. 57



Sky SM
P. 58

CEILING LIGHTS

Pages 60-62



Moon
P. 60



Rondo
P. 62

PENDANT LIGHTS

Pages 63-66



Rondo
P. 63



Linex
P. 64



Dublo
P. 66

BATTEN

Pages 67-67



Linea
P. 67

BULKHEADS

Pages 68-73



Polo
P. 68



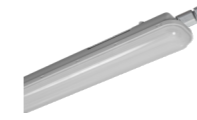
Venus
P. 70



Eclipse
P. 72

WATERPROOFS

Pages 74-81



Essence
P. 74



Cyclone
P. 76



Typhoon
P. 78



Zeus
P. 80

HIGHBAYS

Pages 82-91



Storm
P. 82



Horizon
P. 84



Ultra
P. 86



Rex
P. 88



Clean HACCP
P. 90

FLOODLIGHTS

Pages 92-93



Auva
P. 92

LED PANEL ESSENCE



KEY FEATURES

- Slim design suitable for suspended and plaster ceilings
- Replacement of 4x18W TL
- Flicker-free
- Efficiency 100lm/W
- Long lifetime 50,000 hours
- Included driver with fast-connector
- Complete accessories range
- Payback time 1 to 2 years
- 5 years Pragmalux warranty

IP20 IK02 650° GWT 100lm/W SAMSUNG CHIPS

APPLICATIONS

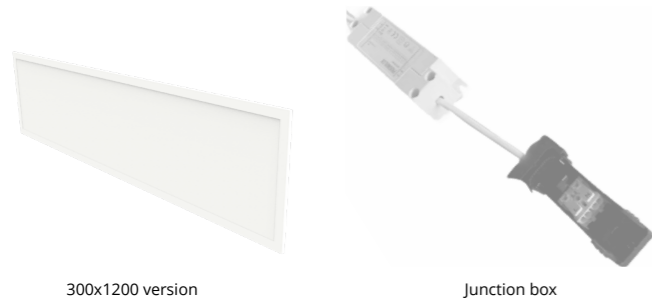


CERTIFICATIONS & DOCUMENTATION

LVD, EMC, RoHS, ERP.

OPTIONS

GST18i3/5



300x1200 version

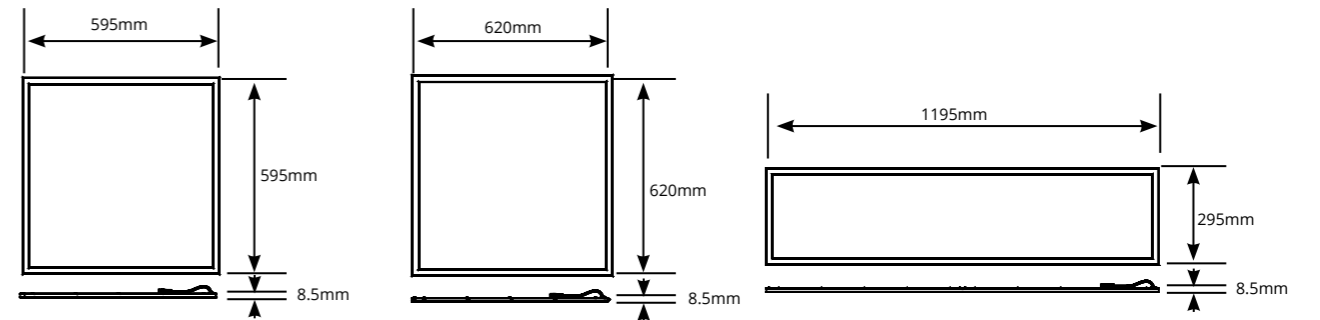
Junction box

| ITEM CODE | DESCRIPTION | W | LM | LM/W | KELVIN | CRI | BEAM | LIFETIME L80B10 | EQUIVALENT | COLOUR |
|-----------|----------------------------------|----|-------|------|--------|-----|------|-----------------|------------|--------|
| 4600239 | LED Panel Essence 40W 600 3000K | 40 | 4,000 | 100 | 3,000 | ≥80 | 120 | 50,000 | 4x18W | White |
| 4600246 | LED Panel Essence 40W 600 4000K | 40 | 4,000 | 100 | 4,000 | ≥80 | 120 | 50,000 | 4x18W | White |
| 4600253 | LED Panel Essence 40W 620 3000K | 40 | 4,000 | 100 | 3,000 | ≥80 | 120 | 50,000 | 4x18W | White |
| 4600260 | LED Panel Essence 40W 620 4000K | 40 | 4,000 | 100 | 4,000 | ≥80 | 120 | 50,000 | 4x18W | White |
| 4600277 | LED Panel Essence 40W 1200 3000K | 40 | 4,000 | 100 | 3,000 | ≥80 | 120 | 50,000 | 2x36W | White |
| 4600284 | LED Panel Essence 40W 1200 4000K | 40 | 4,000 | 100 | 4,000 | ≥80 | 120 | 50,000 | 2x36W | White |

ACCESSORIES



DIMENSIONS



LED PANEL ESSENCE UGR<19

KEY FEATURES

- Slim design suitable for suspended and plaster ceilings
- Replacement of 4x18W TL
- Flicker-free
- Efficiency 100lm/W
- Long lifetime 50,000 hours
- Included driver with fast-connector
- Complete accessories range
- Payback time 1 to 2 years
- 5 years Pragmalux warranty

IP20 IK02 650° GWT 100_{LM/W} UGR<19 SAMSUNG CHIPS

APPLICATIONS



CERTIFICATIONS & DOCUMENTATION

CE LVD, EMC, RoHS, ERP.

OPTIONS

EM 1 HOUR 3 HOUR GST18i3/5



300x1200 version



Junction box

| ITEM CODE | DESCRIPTION | W | LM | LM/W | KELVIN | CRI | BEAM | LIFETIME L80B10 | EQUIVALENT | COLOUR |
|-----------|---|----|-------|------|--------|-----|------|-----------------|------------|--------|
| 4600291 | LED Panel Essence 40W 600 3000K UGR<19 | 40 | 4,000 | 100 | 3,000 | ≥80 | 90 | 50,000 | 4x18W | White |
| 4600307 | LED Panel Essence 40W 600 4000K UGR<19 | 40 | 4,000 | 100 | 4,000 | ≥80 | 90 | 50,000 | 4x18W | White |
| 4600314 | LED Panel Essence 40W 620 3000K UGR<19 | 40 | 4,000 | 100 | 3,000 | ≥80 | 90 | 50,000 | 4x18W | White |
| 4600321 | LED Panel Essence 40W 620 4000K UGR<19 | 40 | 4,000 | 100 | 4,000 | ≥80 | 90 | 50,000 | 4x18W | White |
| 4600338 | LED Panel Essence 40W 1200 3000K UGR<19 | 40 | 4,000 | 100 | 3,000 | ≥80 | 90 | 50,000 | 2x36W | White |
| 4600345 | LED Panel Essence 40W 1200 4000K UGR<19 | 40 | 4,000 | 100 | 4,000 | ≥80 | 90 | 50,000 | 2x36W | White |

ACCESSORIES



Surface mounted kit 600



Surface mounted kit 620



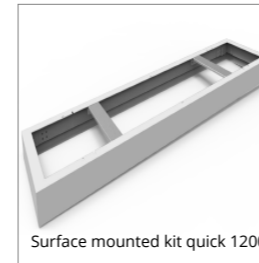
Surface mounted kit 1200



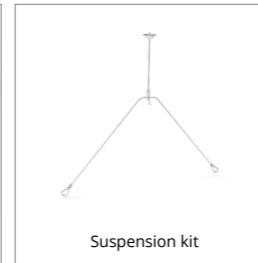
Surface mounted kit quick 600



Surface mounted kit quick 620



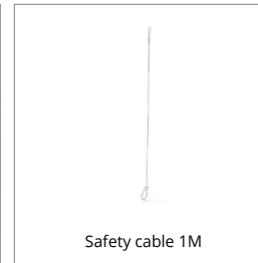
Surface mounted kit quick 1200



Suspension kit

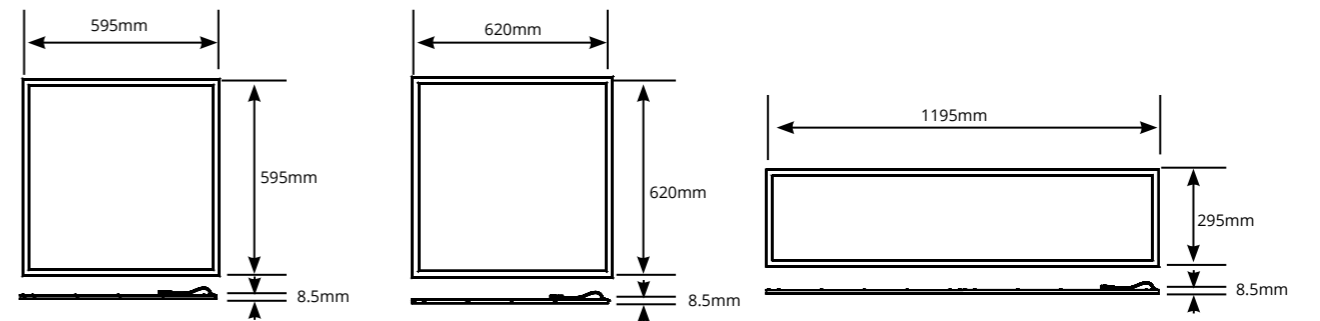


Mounting clips 600/620



Safety cable 1M

DIMENSIONS



LED PANEL SIGMA



300x1200 version



Philips driver + junction box

KEY FEATURES

- Slim design suitable for suspended and plaster ceilings
- Replacement of 4x18W and 2x36 TL
- Flicker-free
- Efficiency 100lm/W
- Long lifetime 76,000 hours L80 B10
- Included driver Philips Xitanium with fast-connector
- Complete accessories range
- Payback time 1 to 3 years
- Up to 7 years Pragmalux warranty by project registration

IP20 IK04 **650° GMR** **100LM/W** **PHILIPS DRIVER** **PHILIPS CHIPS**

APPLICATIONS



CERTIFICATIONS & DOCUMENTATION

CE LVD, EMC, RoHS, ERP.

OPTIONS

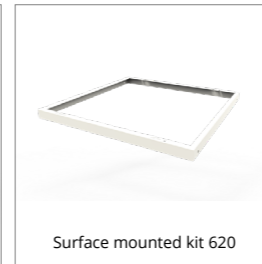


| ITEM CODE | DESCRIPTION | W | LM | LM/W | KELVIN | CRI | BEAM | LIFETIME L80B10 | EQUIVALENT | COLOUR |
|-----------|-------------------------------------|----|-------|------|--------|-----|------|-----------------|------------|--------|
| 4607276 | LED Panel Sigma 40W 3000K 600 | 40 | 4,000 | 100 | 3,000 | ≥80 | 120 | 76,000 | 4x18W | White |
| 4607283 | LED Panel Sigma 40W 4000K 600 | 40 | 4,000 | 100 | 4,000 | ≥80 | 120 | 76,000 | 4x18W | White |
| 4607290 | LED Panel Sigma 40W 3000K 620 | 40 | 4,000 | 100 | 3,000 | ≥80 | 120 | 76,000 | 4x18W | White |
| 4607306 | LED Panel Sigma 40W 4000K 620 | 40 | 4,000 | 100 | 4,000 | ≥80 | 120 | 76,000 | 4x18W | White |
| 4607313 | LED Panel Sigma 40W 3000K 1200 | 40 | 4,000 | 100 | 3,000 | ≥80 | 120 | 76,000 | 2x36W | White |
| 4607320 | LED Panel Sigma 40W 4000K 1200 | 40 | 4,000 | 100 | 4,000 | ≥80 | 120 | 76,000 | 2x36W | White |
| 4601304 | LED Panel Sigma 40W 600 3000K DALI | 40 | 4,000 | 100 | 3,000 | ≥80 | 120 | 76,000 | 4x18W | White |
| 4601311 | LED Panel Sigma 40W 600 4000K DALI | 40 | 4,000 | 100 | 4,000 | ≥80 | 120 | 76,000 | 4x18W | White |
| 4601366 | LED Panel Sigma 40W 620 3000K DALI | 40 | 4,000 | 100 | 3,000 | ≥80 | 120 | 76,000 | 4x18W | White |
| 4601373 | LED Panel Sigma 40W 620 4000K DALI | 40 | 4,000 | 100 | 4,000 | ≥80 | 120 | 76,000 | 4x18W | White |
| 4601380 | LED Panel Sigma 40W 1200 3000K DALI | 40 | 4,000 | 100 | 3,000 | ≥80 | 120 | 76,000 | 2x36W | White |
| 4601397 | LED Panel Sigma 40W 1200 4000K DALI | 40 | 4,000 | 100 | 4,000 | ≥80 | 120 | 76,000 | 2x36W | White |

ACCESSORIES



Surface mounted kit 600



Surface mounted kit 620



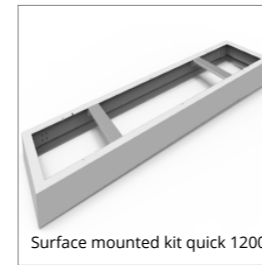
Surface mounted kit 1200



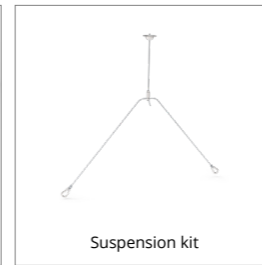
Surface mounted kit quick 600



Surface mounted kit quick 620



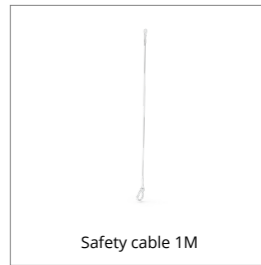
Surface mounted kit quick 1200



Suspension kit

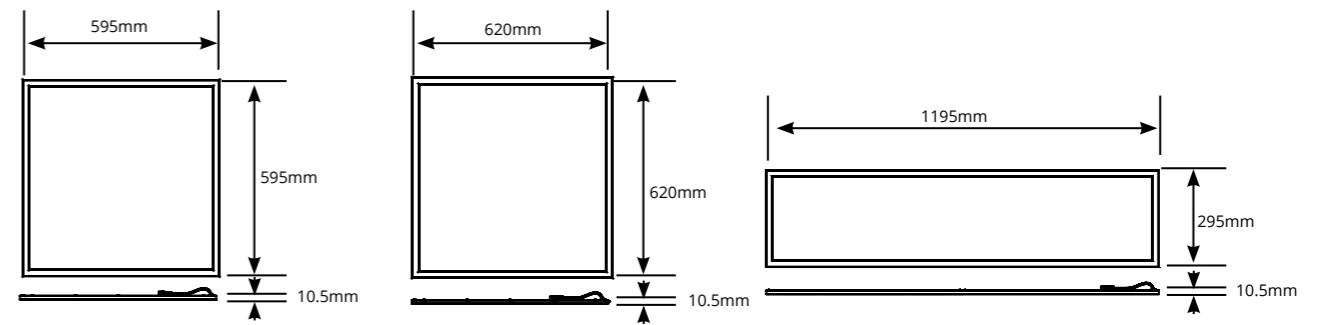


Mounting clips 600/620



Safety cable 1M

DIMENSIONS



LED PANEL SIGMA UGR<19



KEY FEATURES

- Slim design suitable for suspended and plaster ceilings
- Replacement of 4x18W and 2x36 TL
- Flicker-free
- Efficiency up to 110lm/W
- Long lifetime 76,000 hours L80 B10
- Included driver Philips Xitanium with fast-connector
- Complete accessories range
- Payback time 1 to 3 years
- Up to 7 years Pragmalux warranty by project registration

IP20 IK04 650°_{GMT} 110_{LM/W} UGR<19 PHILIPS DRIVER CHIPS

APPLICATIONS



CERTIFICATIONS & DOCUMENTATION

CE LVD, EMC, RoHS, ERP.

OPTIONS



300x1200 version



Philips driver + junction box

| ITEM CODE | DESCRIPTION | W | LM | LM/W | KELVIN | CRI | BEAM | LIFETIME L80B10 | EQUIVALENT | COLOUR |
|-----------|--|----|-------|------|--------|-----|------|-----------------|------------|--------|
| 4607214 | LED Panel Sigma 33W 3000K 600 UGR<19 | 33 | 3,300 | 100 | 3,000 | ≥80 | 90 | 76,000 | 4x18W | White |
| 4607221 | LED Panel Sigma 33W 4000K 600 UGR<19 | 33 | 3,600 | 109 | 4,000 | ≥80 | 90 | 76,000 | 4x18W | White |
| 4607238 | LED Panel Sigma 33W 3000K 620 UGR<19 | 33 | 3,300 | 100 | 3,000 | ≥80 | 90 | 76,000 | 4x18W | White |
| 4607245 | LED Panel Sigma 33W 4000K 620 UGR<19 | 33 | 3,600 | 109 | 4,000 | ≥80 | 90 | 76,000 | 4x18W | White |
| 4607252 | LED Panel Sigma 33W 3000K 1200 UGR<19 | 33 | 3,300 | 100 | 3,000 | ≥80 | 90 | 76,000 | 2x36W | White |
| 4607269 | LED Panel Sigma 33W 4000K 1200 UGR<19 | 33 | 3,600 | 109 | 4,000 | ≥80 | 90 | 76,000 | 2x36W | White |
| 4601243 | LED Panel Sigma 33W 600 3000K UGR<19 DALI | 33 | 3,300 | 100 | 3,000 | ≥80 | 90 | 76,000 | 4x18W | White |
| 4601250 | LED Panel Sigma 33W 600 4000K UGR<19 DALI | 33 | 3,600 | 109 | 4,000 | ≥80 | 90 | 76,000 | 4x18W | White |
| 4601267 | LED Panel Sigma 33W 620 3000K UGR<19 DALI | 33 | 3,300 | 100 | 3,000 | ≥80 | 90 | 76,000 | 4x18W | White |
| 4601274 | LED Panel Sigma 33W 620 4000K UGR<19 DALI | 33 | 3,600 | 109 | 4,000 | ≥80 | 90 | 76,000 | 4x18W | White |
| 4601281 | LED Panel Sigma 33W 1200 3000K UGR<19 DALI | 33 | 3,300 | 100 | 3,000 | ≥80 | 90 | 76,000 | 2x36W | White |
| 4601298 | LED Panel Sigma 33W 1200 4000K UGR<19 DALI | 33 | 3,600 | 109 | 4,000 | ≥80 | 90 | 76,000 | 2x36W | White |

ACCESSORIES



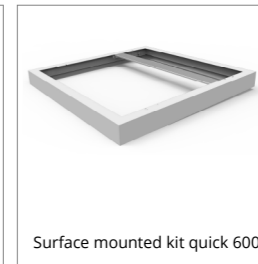
Surface mounted kit 600



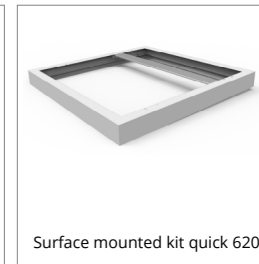
Surface mounted kit 620



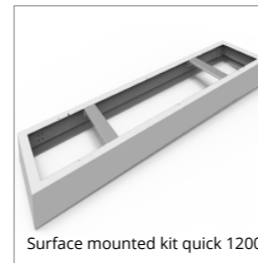
Surface mounted kit 1200



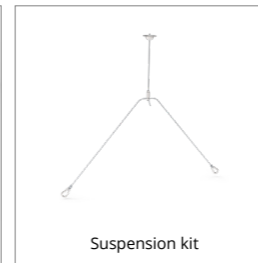
Surface mounted kit quick 600



Surface mounted kit quick 620



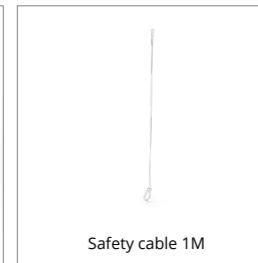
Surface mounted kit quick 1200



Suspension kit

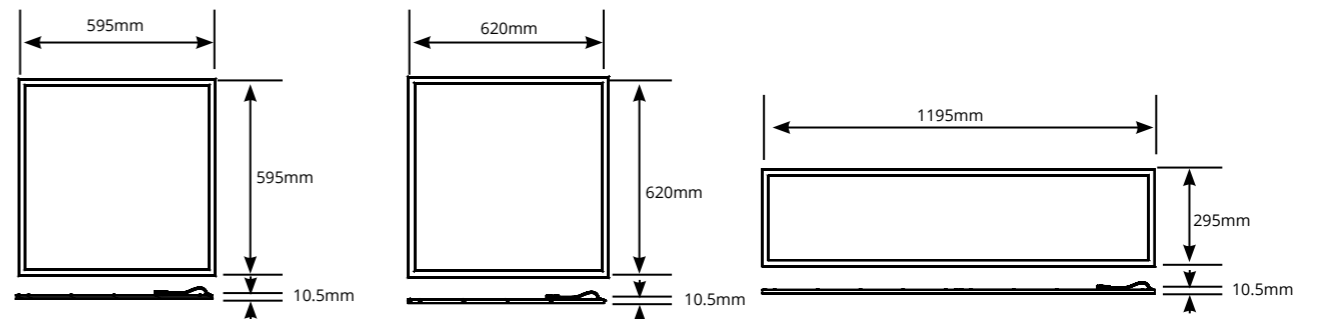


Mounting clips 600/620



Safety cable 1M

DIMENSIONS



LED PANEL TORNADO UGR<19

KEY FEATURES

- Slim design suitable for suspended and plaster ceilings
- Replacement of 4x18W and 2x36 TL
- Flicker-free
- Efficiency up to 116lm/W
- Long lifetime 76,000 hours L80 B10
- Included driver Philips Xitanium with fast-connector
- Complete accessories range
- Payback time 1 to 3 years
- Up to 7 years Pragmalux warranty by project registration

IP20 IK04 650° GMT 116 LM/W UGR<19 PHILIPS DRIVER CHIPS

APPLICATIONS



CERTIFICATIONS & DOCUMENTATION

CE LVD, EMC, RoHS, ERP.

OPTIONS



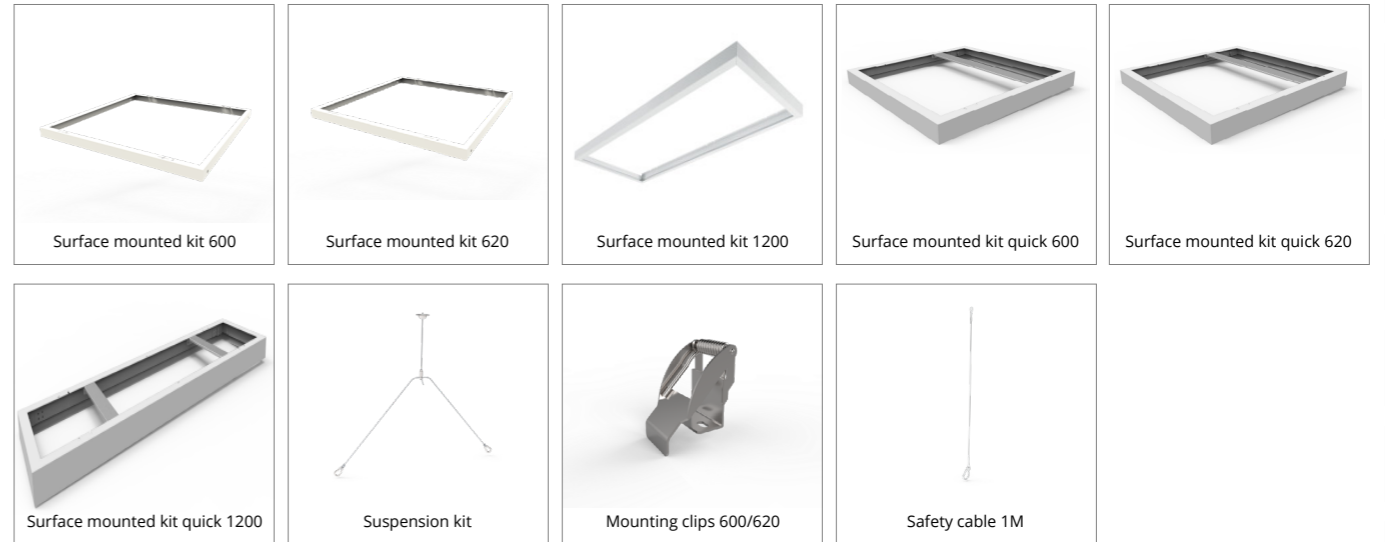
300x1200 version



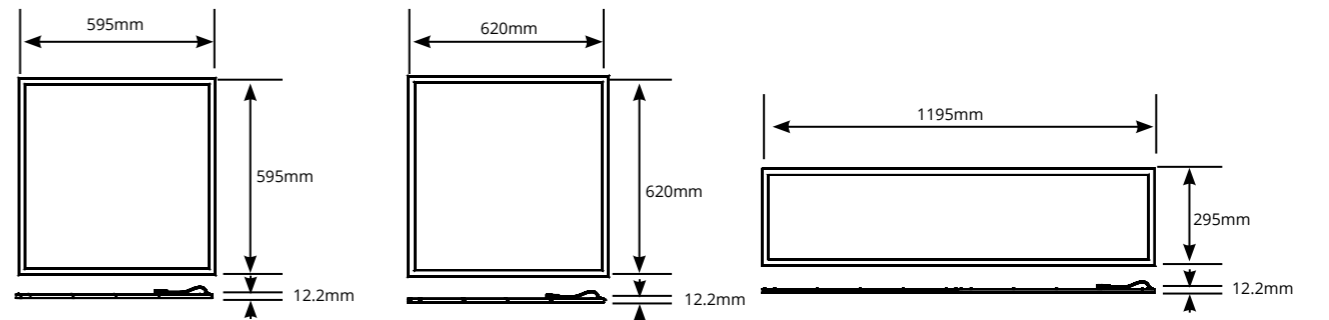
Philips driver + junction box

| ITEM CODE | DESCRIPTION | W | LM | LM/W | KELVIN | CRI | BEAM | LIFETIME L80B10 | EQUIVALENT | COLOUR |
|-----------|---|----|-------|------|--------|-----|------|-----------------|------------|--------|
| 4607337 | LED Panel Tornado 43W 600 3000K UGR<19 | 43 | 5,000 | 116 | 3,000 | ≥80 | 90 | 76,000 | 4x18W | White |
| 4607344 | LED Panel Tornado 43W 600 4000K UGR<19 | 43 | 5,000 | 116 | 4,000 | ≥80 | 90 | 76,000 | 4x18W | White |
| 4607351 | LED Panel Tornado 43W 620 3000K UGR<19 | 43 | 5,000 | 116 | 3,000 | ≥80 | 90 | 76,000 | 4x18W | White |
| 4607368 | LED Panel Tornado 43W 620 4000K UGR<19 | 43 | 5,000 | 116 | 4,000 | ≥80 | 90 | 76,000 | 4x18W | White |
| 4607375 | LED Panel Tornado 43W 1200 3000K UGR<19 | 43 | 5,000 | 116 | 3,000 | ≥80 | 90 | 76,000 | 2x36W | White |
| 4607382 | LED Panel Tornado 43W 1200 4000K UGR<19 | 43 | 5,000 | 116 | 4,000 | ≥80 | 90 | 76,000 | 2x36W | White |

ACCESSORIES



DIMENSIONS



LED PANEL ELITE UGR<19

KEY FEATURES

- CCT Switchable 3000K, 4000K and 5700K
- Replacement of 4x18W TL
- Low UGR value, suitable for offices and workplaces
- High-quality optics and design
- Long lifetime 50,000 hours
- Included driver with fast-connector
- Payback time 1 to 3 years
- 5 years Pragmalux warranty

IP20 IK02  650°_{GMR} 104_{LM/W} UGR<19 **SAMSUNG**
CHIPS

APPLICATIONS



CERTIFICATIONS & DOCUMENTATION

CE LVD, EMC, RoHS, ERP.

OPTIONS

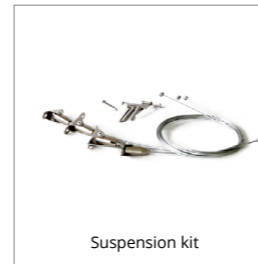


Optic



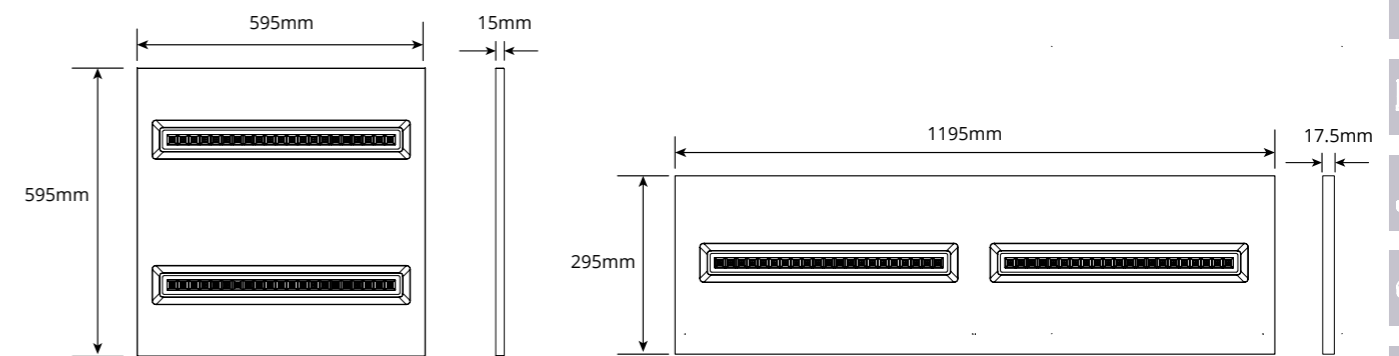
Optic 2

ACCESSORIES



Suspension kit

DIMENSIONS



| ITEM CODE | DESCRIPTION | W | LM | LM/W | KELVIN | CRI | BEAM | LIFETIME L80B10 | EQUIVALENT | COLOUR |
|-----------|---|----|-------------|--------|-------------------|-----|------|-----------------|------------|--------|
| 4607399 | LED Panel Elite 35W 600 3000K-5700K 3-CCT UGR<19 | 35 | 3,350-3,650 | 95-104 | 3,000/4,000/5,700 | ≥80 | 90 | 50,000 | 4x18W | White |
| 4607405 | LED Panel Elite 35W 1200 3000K-5700K 3-CCT UGR<19 | 35 | 3,350-3,650 | 95-104 | 3,000/4,000/5,700 | ≥80 | 90 | 50,000 | 4x18W | White |

LED PANEL CLUE UGR<16

KEY FEATURES


- Elegant design with high lumen efficacy
- Module replaceable brings low maintenance cost
- UGR<16 ideal for working environment
- Easy installation with either recessed or suspended
- 5 years warranty
- Long lifetime of 50,000 hours

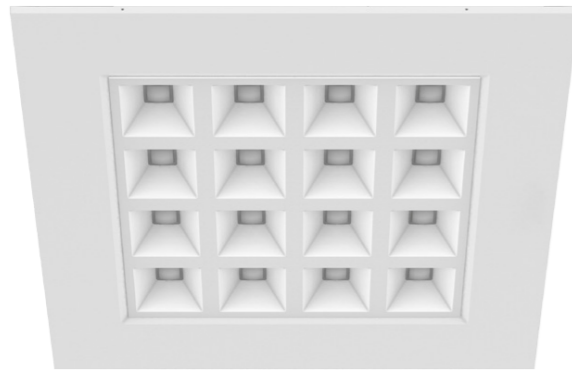
IP40 IK02  650°_{GWT} 108_{LM/W} UGR<16 

APPLICATIONS

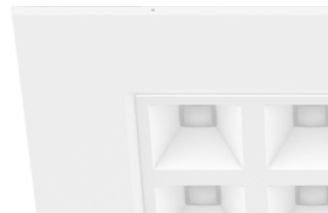


CERTIFICATIONS & DOCUMENTATION

 **CE** LVD, EMC, RoHS, ERP.



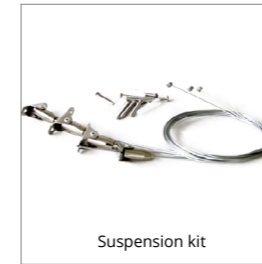
30x120 version



Detail

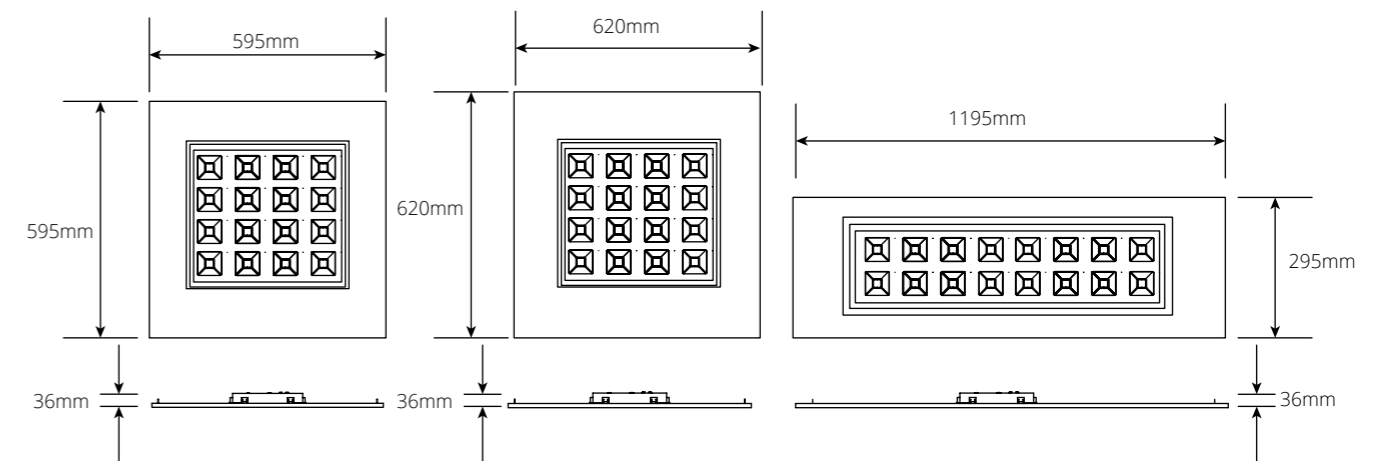
| ITEM CODE | DESCRIPTION | W | LM | LM/W | KELVIN | CRI | BEAM | LIFETIME L80B10 | EQUIVALENT | COLOUR |
|-----------|--------------------------------------|----|-------|------|--------|-----|------|-----------------|------------|--------|
| 4607412 | LED Panel Clue 36W 600 3000K UGR<16 | 36 | 3,610 | 100 | 3,000 | ≥80 | 100 | 50,000 | 4x18W | White |
| 4607429 | LED Panel Clue 36W 600 4000K UGR<16 | 36 | 3,900 | 108 | 4,000 | ≥80 | 100 | 50,000 | 4x18W | White |
| 4607436 | LED Panel Clue 36W 620 3000K UGR<16 | 36 | 3,610 | 100 | 3,000 | ≥80 | 100 | 50,000 | 4x18W | White |
| 4607443 | LED Panel Clue 36W 620 4000K UGR<16 | 36 | 3,900 | 108 | 4,000 | ≥80 | 100 | 50,000 | 4x18W | White |
| 4607450 | LED Panel Clue 36W 1200 3000K UGR<16 | 36 | 3,610 | 100 | 3,000 | ≥80 | 100 | 50,000 | 2x36W | White |
| 4607467 | LED Panel Clue 36W 1200 4000K UGR<16 | 36 | 3,900 | 108 | 4,000 | ≥80 | 100 | 50,000 | 2x36W | White |

ACCESSORIES



Suspension kit

DIMENSIONS



LED PANEL PENDO



KEY FEATURES

- Perfect decorative lighting thanks to its stylish and modern design
- Upside ambient lighting and downside main lighting
- 110° up / down beam angle and high quality LGP creates extremely wide and uniform lighting
- Easy installation with push-wire terminal block
- Low maintenance cost due to separate driver box
- Long lifetime of 50,000 hours

IP20 IK02  **650° GWT** **75 LM/W** **UGR<19** **LG CHIPS**

APPLICATIONS

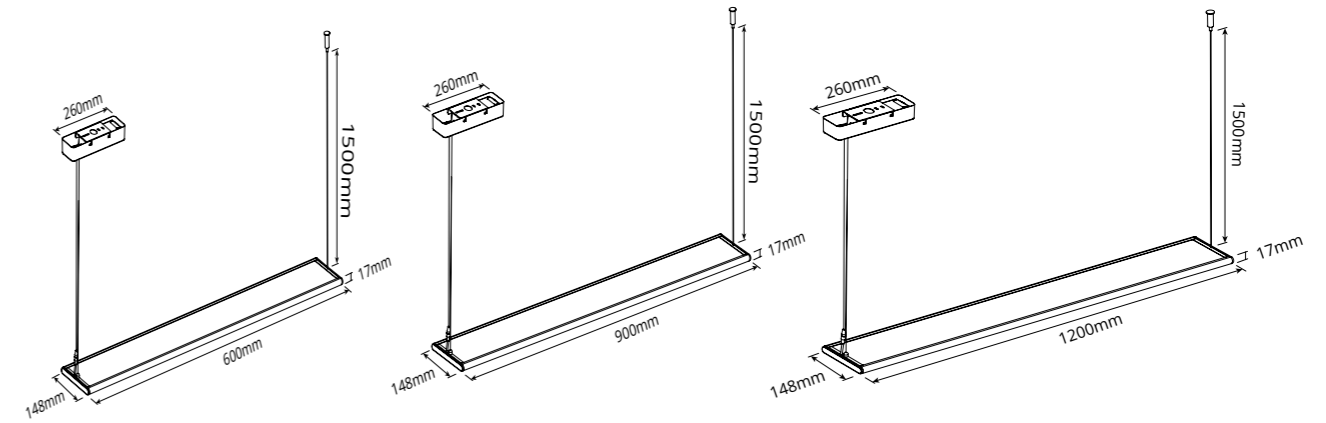


CERTIFICATIONS & DOCUMENTATION

CE LVD, EMC, RoHS, ERP.

| ITEM CODE | DESCRIPTION | W | LM | LM/W | KELVIN | CRI | BEAM | LIFETIME L80B10 | EQUIVALENT | COLOUR |
|-----------|--------------------------------|----|------|------|--------|-----|------|-----------------|------------|--------|
| 4605807 | LED Panel Pendo 20W 600 3000K | 20 | 1240 | 62 | 3,000 | ≥80 | 110 | 50,000 | 2x18W | White |
| 4605814 | LED Panel Pendo 20W 600 4000K | 20 | 1400 | 70 | 4,000 | ≥80 | 110 | 50,000 | 2x18W | White |
| 4605821 | LED Panel Pendo 30W 900 3000K | 30 | 2100 | 70 | 3,000 | ≥80 | 110 | 50,000 | 2x18W | White |
| 4605838 | LED Panel Pendo 30W 900 4000K | 30 | 2250 | 75 | 4,000 | ≥80 | 110 | 50,000 | 2x18W | White |
| 4605845 | LED Panel Pendo 45W 1200 3000K | 45 | 2475 | 55 | 3,000 | ≥80 | 110 | 50,000 | 2x36W | White |
| 4605852 | LED Panel Pendo 45W 1200 4000K | 45 | 2790 | 62 | 4,000 | ≥80 | 110 | 50,000 | 2x36W | White |

DIMENSIONS



LED DOWNLIGHT ESSENCE



KEY FEATURES

- Affordable LED alternative for CFL/PLC downlights
- Lifetime 50,000 hours
- Integrated LED driver
- Very quick and easy installation
- Serial connector
- Possible through-wiring
- Excellent price-quality ratio
- Energy savings up to 50%

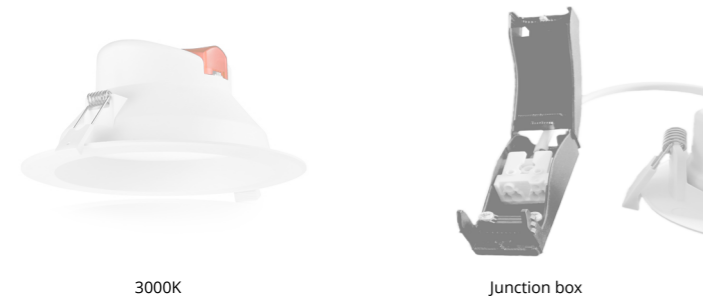
IP20 IK03 **650°** GWT **94** LM/W **SAMSUNG** CHIPS

APPLICATIONS



CERTIFICATIONS & DOCUMENTATION

CE LVD, EMC, RoHS, ERP.

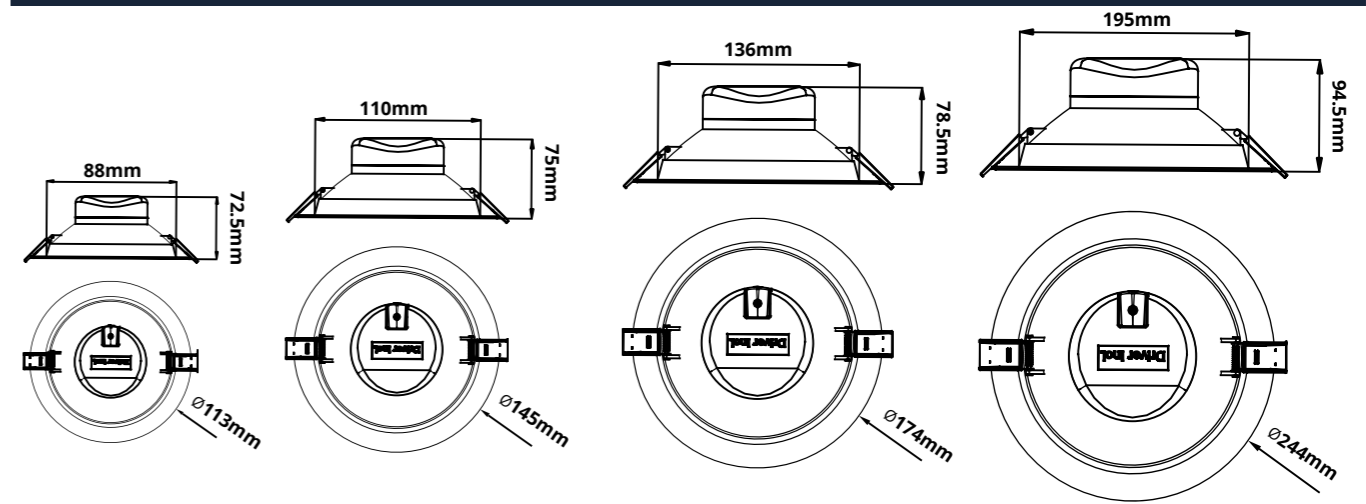


3000K

Junction box

| ITEM CODE | DESCRIPTION | W | LM | LM/W | KELVIN | CRI | BEAM | LIFETIME L80B10 | EQUIVALENT | COLOUR |
|-----------|--|----|-------|------|--------|-----|------|-----------------|------------|--------|
| 4600512 | LED Downlight Essence 10W 3000K Ø113mm Cutout Ø90-102mm | 10 | 820 | 82 | 3,000 | ≥80 | 100 | 50,000 | 1x18W PL | White |
| 4600529 | LED Downlight Essence 10W 4000K Ø113mm Cutout Ø90-102mm | 10 | 900 | 90 | 4,000 | ≥80 | 100 | 50,000 | 1x18W PL | White |
| 4600536 | LED Downlight Essence 12W 3000K Ø145mm Cutout Ø120-130mm | 12 | 1,000 | 83 | 3,000 | ≥80 | 100 | 50,000 | 2x18W PL | White |
| 4600543 | LED Downlight Essence 12W 4000K Ø145mm Cutout Ø120-130mm | 12 | 1,050 | 88 | 4,000 | ≥80 | 100 | 50,000 | 2x18W PL | White |
| 4600550 | LED Downlight Essence 17W 3000K Ø174mm Cutout Ø145-155mm | 17 | 1,500 | 88 | 3,000 | ≥80 | 100 | 50,000 | 1x26W PL | White |
| 4600567 | LED Downlight Essence 17W 4000K Ø174mm Cutout Ø145-155mm | 17 | 1,600 | 94 | 4,000 | ≥80 | 100 | 50,000 | 1x26W PL | White |
| 4600574 | LED Downlight Essence 25W 3000K Ø244mm Cutout Ø195-210mm | 25 | 2,230 | 89 | 3,000 | ≥80 | 100 | 50,000 | 2x26W PL | White |
| 4600581 | LED Downlight Essence 25W 4000K Ø244mm Cutout Ø195-210mm | 25 | 2,350 | 94 | 4,000 | ≥80 | 100 | 50,000 | 2x26W PL | White |

DIMENSIONS



LED DOWNLIGHT SPECTRE

KEY FEATURES

- CCT Switchable
- Lifetime 50,000 hours
- Integrated LED driver
- Very quick and easy installation
- Serial connector
- Possible through-wiring
- Excellent price-quality ratio
- Energy savings up to 50%
- Also applicable for humidity atmosphere

IP54 IK06  **650°** GWT **107** LM/W **SAMSUNG** CHIPS

APPLICATIONS



CERTIFICATIONS & DOCUMENTATION

CE LVD, EMC, RoHS, ERP.

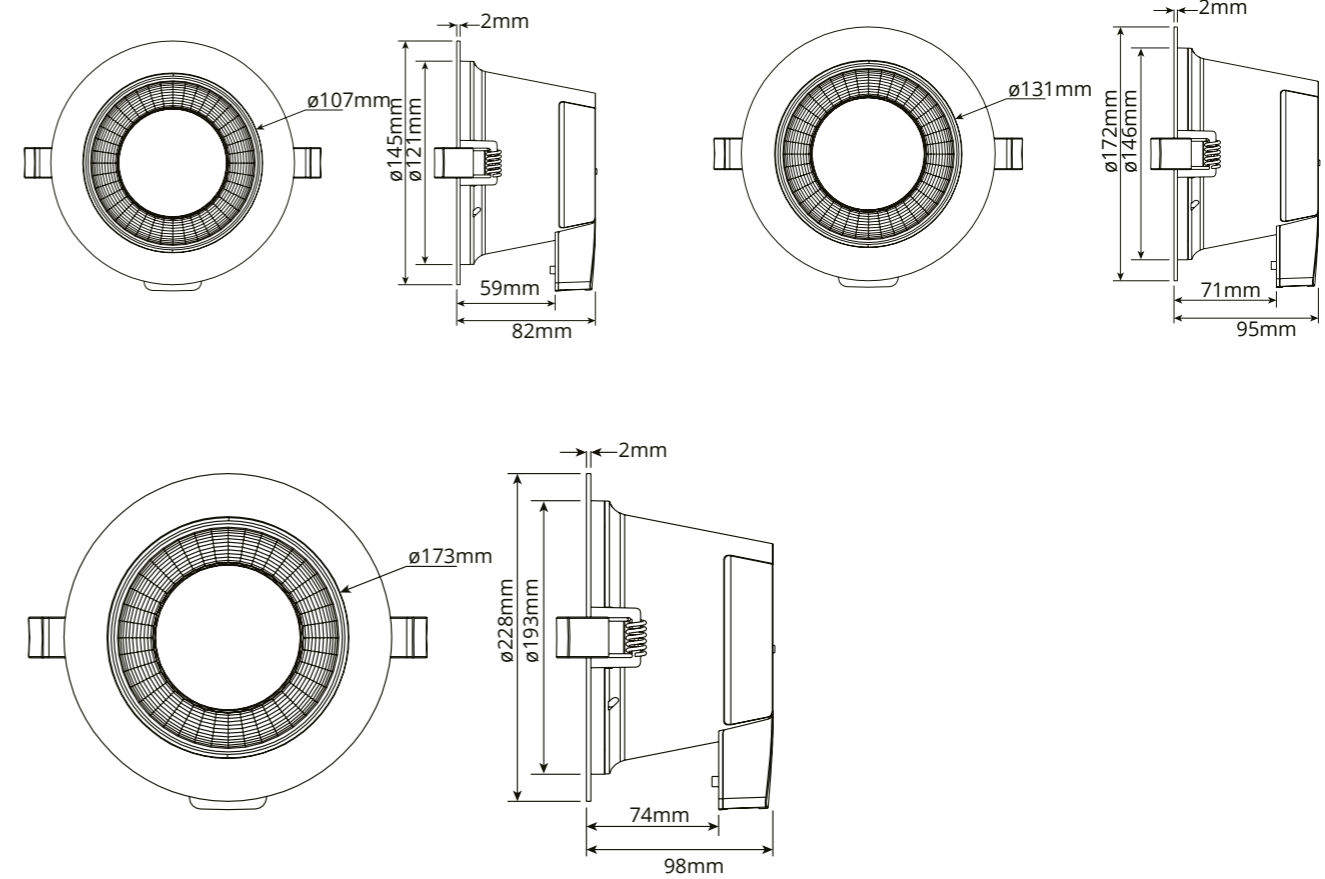


Reflector



Back

DIMENSIONS



| ITEM CODE | DESCRIPTION | W | LM | LM/W | KELVIN | CRI | BEAM | LIFETIME L80B10 | EQUIVALENT | COLOUR |
|-----------|--|----|-------------|--------|-------------------|-----|------|-----------------|------------|--------|
| 4601687 | LED Downlight Spectre FR IP54 13W 3000K-5700K 3-CCT Ø145mm Cutout Ø125-135mm | 13 | 1,050-1,300 | 81-100 | 3,000/4,000/5,700 | ≥80 | 90 | 50,000 | 1x26W | White |
| 4601694 | LED Downlight Spectre FR IP54 18W 3000K-5700K 3-CCT Ø172mm Cutout Ø150-165mm | 18 | 1,440-1,690 | 80-94 | 3,000/4,000/5,700 | ≥80 | 90 | 50,000 | 2x18W | White |
| 4601700 | LED Downlight Spectre FR IP54 18W 3000K-5700K 3-CCT Ø228mm Cutout Ø200-210mm | 18 | 1,710-1,900 | 98-106 | 3,000/4,000/5,700 | ≥80 | 90 | 50,000 | 2x18W | White |
| 4601717 | LED Downlight Spectre FR IP54 25W 3000K-5700K 3-CCT Ø228mm Cutout Ø200-210mm | 25 | 2,280-2,650 | 91-106 | 3,000/4,000/5,700 | ≥80 | 90 | 50,000 | 2x26W | White |
| 4601731 | LED Downlight Spectre SR IP54 13W 3000K-5700K 3-CCT Ø145 Cutout Ø125-135mm UGR<19 | 13 | 1,120-1,310 | 86-101 | 3,000/4,000/5,700 | ≥80 | 60 | 50,000 | 1x26W | White |
| 4601748 | LED Downlight Spectre SR IP54 18W 3000K-5700K 3-CCT Ø172 Cutout Ø150-165mm UGR<19 | 18 | 1,510-1,760 | 84-98 | 3,000/4,000/5,700 | ≥80 | 60 | 50,000 | 2x18W | White |
| 4601755 | LED Downlight Spectre SR IP54 18W 3000K-5700K 3-CCT Ø228 Cutout Ø200-210mm UGR<19 | 18 | 1,750-1,930 | 97-107 | 3,000/4,000/5,700 | ≥80 | 60 | 50,000 | 2x18W | White |

LED DOWNLIGHT CLOUD

KEY FEATURES

- Adopts modern and simple design with easy installation
- Corrosion resistance & ideal heat dissipation performance due to aluminum housing with oxidation treatment
- Citizen COB with high lumen output
- Easy replacement with independent built-in driver
- Different beam angle 24°/36°/45°/60° available
- Up to 70% energy saving compared to standard CFL
- Dimmable with a triac dimmer
- Long lifetime of 50,000 hours

IP54 IK02 **650°** GMT **118** LM/W **CITIZEN** CHIPS

APPLICATIONS



CERTIFICATIONS & DOCUMENTATION

CE LVD, EMC, RoHS, ERP.

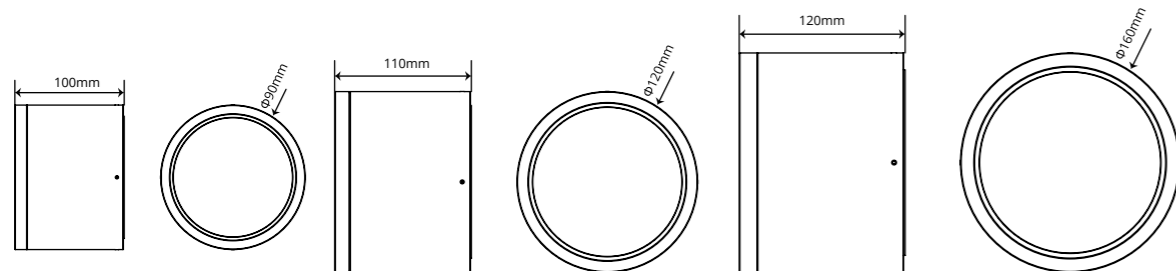


Back

Front

| ITEM CODE | DESCRIPTION | W | LM | LM/W | KELVIN | CRI | BEAM | LIFETIME L80B10 | EQUIVALENT | COLOUR |
|-----------|---|----|-------|------|--------|-----|------|-----------------|------------|--------|
| 4601809 | LED Downlight Cloud IP54 15W 3000K 60° Ø90x100mm White | 15 | 1,470 | 98 | 3,000 | ≥80 | 60 | 50,000 | 2x18W | White |
| 4601816 | LED Downlight Cloud IP54 15W 4000K 60° Ø90x100mm White | 15 | 1,580 | 105 | 4,000 | ≥80 | 60 | 50,000 | 2x18W | White |
| 4601892 | LED Downlight Cloud IP54 25W 3000K 60° Ø120x110mm White | 25 | 2,850 | 114 | 3,000 | ≥80 | 60 | 50,000 | 2x26W | White |
| 4601908 | LED Downlight Cloud IP54 25W 4000K 60° Ø120x110mm White | 25 | 2,950 | 118 | 4,000 | ≥80 | 60 | 50,000 | 2x26W | White |
| 4602011 | LED Downlight Cloud IP54 32W 3000K 60° Ø160x120mm White | 32 | 3,420 | 107 | 3,000 | ≥80 | 60 | 50,000 | 2x26W | White |
| 4602028 | LED Downlight Cloud IP54 32W 4000K 60° Ø160x120mm White | 32 | 3,580 | 112 | 4,000 | ≥80 | 60 | 50,000 | 2x26W | White |

DIMENSIONS



LED DOWNLIGHT ZONE

KEY FEATURES

- Adopts modern and simple design with easy installation
- IP54 waterproof for damp environment
- Triac dimming, 1-10V dimming and DALI optional
- Easy replacement with external driver
- CCT switchable of 3000K, 4000K and 5700K
- Up to 70% energy saving compared to standard CFL
- Long lifetime of 50,000 hours

IP54 IK02 **650°** GMT **118** LM/W **SAMSUNG** CHIPS

APPLICATIONS

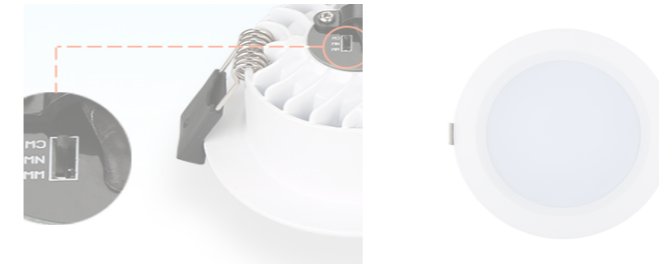
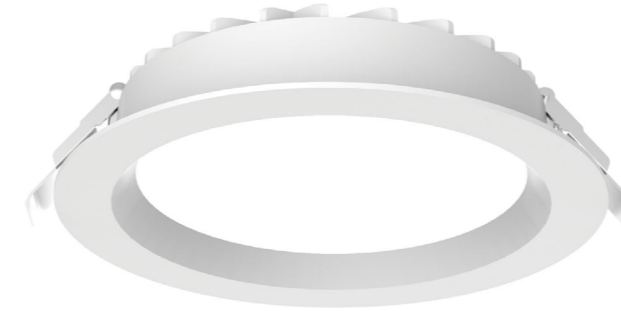


CERTIFICATIONS & DOCUMENTATION

CE LVD, EMC, RoHS, ERP.

OPTIONS

DALI **1-10V DIMMING**

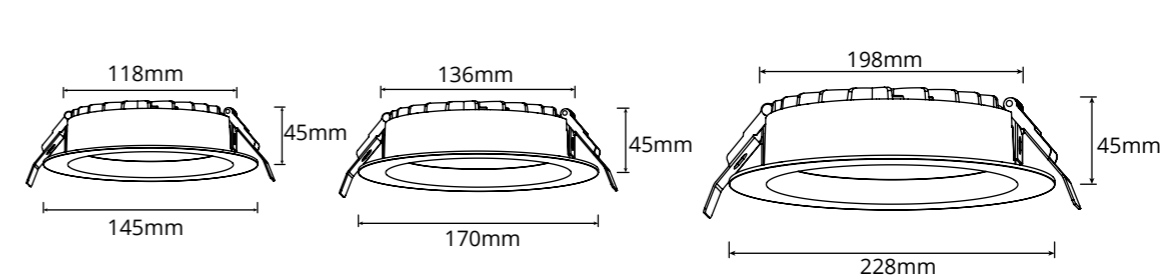


CCT Switch

Front

| ITEM CODE | DESCRIPTION | W | LM | LM/W | KELVIN | CRI | BEAM | LIFETIME L80B10 | EQUIVALENT | COLOUR |
|-----------|--|----|-------------|---------|-------------------|-----|------|-----------------|------------|--------|
| 4607474 | LED Downlight Zone IP54 15W 3000K-5700K 3-CCT Ø145mm Cutout Ø120-130mm | 15 | 1,400-1,600 | 93-107 | 3,000/4,000/5,700 | ≥80 | 90 | 50,000 | 2x18W | White |
| 4607481 | LED Downlight Zone IP54 18W 3000K-5700K 3-CCT Ø170mm Cutout Ø140-150mm | 18 | 1,830-2,070 | 102-115 | 3,000/4,000/5,700 | ≥80 | 90 | 50,000 | 2x18W | White |
| 4607504 | LED Downlight Zone IP54 18W 3000K-5700K 3-CCT Ø228mm Cutout Ø200-210mm | 18 | 1,710-2,050 | 95-114 | 3,000/4,000/5,700 | ≥80 | 90 | 50,000 | 2x18W | White |
| 4607511 | LED Downlight Zone IP54 25W 3000K-5700K 3-CCT Ø228mm Cutout Ø200-210mm | 25 | 2,600-2,680 | 104-107 | 3,000/4,000/5,700 | ≥80 | 90 | 50,000 | 2x26W | White |

DIMENSIONS



WARRANTY

LED DOWNLIGHT MARS ROUND

KEY FEATURES


- Adopts modern and simple design
- IP54 waterproof for damp environment
- Dimmable with a triac dimmer
- PMMA diffuser with even light output
- Surface mounted with push wire terminal block
- Up to 70% energy saving compared to standard CFL
- Long lifetime of 50,000 hours

IP54 IK02  **650°** EWI **94** LM/W **SAMSUNG** CHIPS

APPLICATIONS



CERTIFICATIONS & DOCUMENTATION

 **LVD, EMC, RoHS, ERP.**

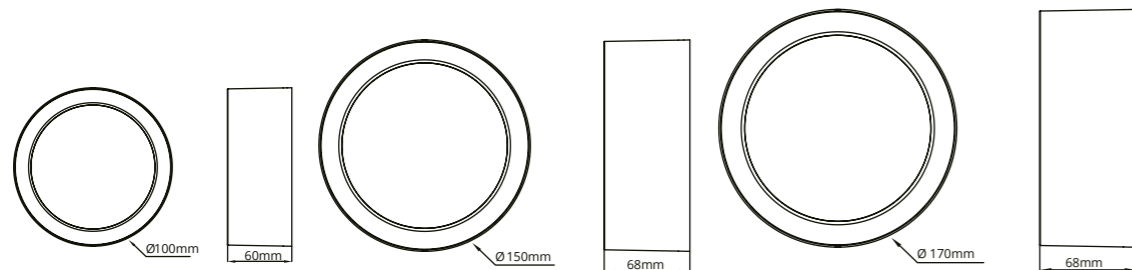


Back

Front

| ITEM CODE | DESCRIPTION | W | LM | LM/W | KELVIN | CRI | BEAM | LIFETIME L80B10 | EQUIVALENT | COLOUR |
|-----------|---|----|-------|------|--------|-----|------|-----------------|------------|--------|
| 4602301 | LED Downlight Mars Round IP54 8W 3000K Ø100x60mm Triac Dim White | 8 | 600 | 75 | 3,000 | ≥80 | 90 | 50,000 | 1x18W | White |
| 4602318 | LED Downlight Mars Round IP54 8W 4000K Ø100x60mm Triac Dim White | 8 | 696 | 87 | 4,000 | ≥80 | 90 | 50,000 | 1x18W | White |
| 4602349 | LED Downlight Mars Round IP54 15W 3000K Ø150x68mm Triac Dim White | 15 | 1,215 | 81 | 3,000 | ≥80 | 90 | 50,000 | 1X26W | White |
| 4602356 | LED Downlight Mars Round IP54 15W 4000K Ø150x68mm Triac Dim White | 15 | 1,365 | 91 | 4,000 | ≥80 | 90 | 50,000 | 1X26W | White |
| 4602363 | LED Downlight Mars Round IP54 18W 3000K Ø150x68mm Triac Dim White | 18 | 1,512 | 84 | 3,000 | ≥80 | 90 | 50,000 | 2X18W | White |
| 4602370 | LED Downlight Mars Round IP54 18W 4000K Ø150x68mm Triac Dim White | 18 | 1,692 | 94 | 4,000 | ≥80 | 90 | 50,000 | 2X18W | White |

DIMENSIONS



LED DOWNLIGHT MARS SQUARE

KEY FEATURES

- Adopts modern and simple design
- IP54 waterproof for damp environment
- Dimmable with a triac dimmer
- PMMA diffuser with even light output
- Surface mounted with push wire terminal block
- Up to 70% energy saving compared to standard CFL
- Long lifetime of 50,000 hours

IP54 IK02  **650°** EWI **94** LM/W **SAMSUNG** CHIPS

APPLICATIONS



CERTIFICATIONS & DOCUMENTATION

 **LVD, EMC, RoHS, ERP.**

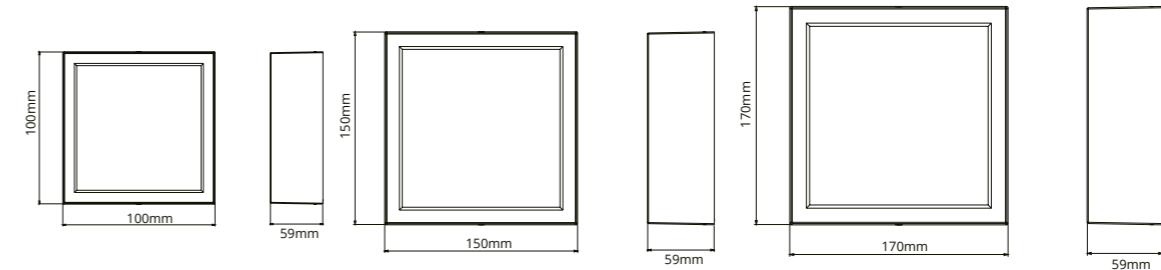


Back

Front

| ITEM CODE | DESCRIPTION | W | LM | LM/W | KELVIN | CRI | BEAM | LIFETIME L80B10 | EQUIVALENT | COLOUR |
|-----------|--|----|-------|------|--------|-----|------|-----------------|------------|--------|
| 4602387 | LED Downlight Mars Square IP54 8W 3000K Ø100x100x59mm Triac Dim White | 8 | 600 | 75 | 3,000 | ≥80 | 90 | 50,000 | 1x18W | White |
| 4602394 | LED Downlight Mars Square IP54 8W 4000K Ø100x100x59mm Triac Dim White | 8 | 696 | 87 | 4,000 | ≥80 | 90 | 50,000 | 1x18W | White |
| 4602400 | LED Downlight Mars Square IP54 15W 3000K Ø150x150x59mm Triac Dim White | 15 | 1,215 | 81 | 3,000 | ≥80 | 90 | 50,000 | 1X26W | White |
| 4602417 | LED Downlight Mars Square IP54 15W 4000K Ø150x150x59mm Triac Dim White | 15 | 1,365 | 91 | 4,000 | ≥80 | 90 | 50,000 | 1X26W | White |
| 4602424 | LED Downlight Mars Square IP54 18W 3000K Ø170x170x59mm Triac Dim White | 18 | 1,512 | 84 | 3,000 | ≥80 | 90 | 50,000 | 2X18W | White |
| 4602431 | LED Downlight Mars Square IP54 18W 4000K Ø170x170x59mm Triac Dim White | 18 | 1,692 | 94 | 4,000 | ≥80 | 90 | 50,000 | 2X18W | White |

DIMENSIONS



LED DOWNLIGHT TANO



KEY FEATURES

- Adjustable lighting direction with different lighting effects
- High lumen output with Citizen COB
- Dimmable with a triac dimmer
- Ideal heat dissipation thanks to aluminum body
- Low maintenance cost due to external driver
- 5 years warranty
- Long lifetime of 50,000 hours

IP20 IK03 650°_{GMT} 112_{LM/W}

APPLICATIONS



CERTIFICATIONS & DOCUMENTATION

CE LVD, EMC, RoHS, ERP.

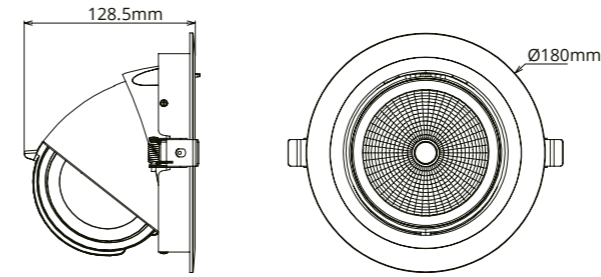


Back



Front

DIMENSIONS



| ITEM CODE | DESCRIPTION | W | LM | LM/W | KELVIN | CRI | BEAM | LIFETIME L80B10 | COLOUR |
|-----------|--|----|-------|------|--------|-----|------|-----------------|--------|
| 4604817 | LED Downlight Tano 35W 3000K CRI>80 45° Ø180mm Cutout Ø165-170mm 35° Tilttable White | 35 | 3,570 | 102 | 3,000 | ≥80 | 45 | 50,000 | White |
| 4604824 | LED Downlight Tano 35W 4000K CRI>80 45° Ø180mm Cutout Ø165-170mm 35° Tilttable White | 35 | 3,800 | 109 | 4,000 | ≥80 | 45 | 50,000 | White |
| 4604831 | LED Downlight Tano 35W 3000K CRI>80 60° Ø180mm Cutout Ø165-170mm 35° Tilttable White | 35 | 3,570 | 102 | 3,000 | ≥80 | 60 | 50,000 | White |
| 4604848 | LED Downlight Tano 35W 4000K CRI>80 60° Ø180mm Cutout Ø165-170mm 35° Tilttable White | 35 | 3,800 | 109 | 4,000 | ≥80 | 60 | 50,000 | White |
| 4604879 | LED Downlight Tano 45W 3000K CRI>80 45° Ø180mm Cutout Ø165-170mm 35° Tilttable White | 45 | 4,815 | 107 | 3,000 | ≥80 | 45 | 50,000 | White |
| 4604886 | LED Downlight Tano 45W 4000K CRI>80 45° Ø180mm Cutout Ø165-170mm 35° Tilttable White | 45 | 5,020 | 112 | 4,000 | ≥80 | 45 | 50,000 | White |
| 4604893 | LED Downlight Tano 45W 3000K CRI>80 60° Ø180mm Cutout Ø165-170mm 35° Tilttable White | 45 | 4,815 | 107 | 3,000 | ≥80 | 60 | 50,000 | White |
| 4604909 | LED Downlight Tano 45W 4000K CRI>80 60° Ø180mm Cutout Ø165-170mm 35° Tilttable White | 45 | 5,020 | 112 | 4,000 | ≥80 | 60 | 50,000 | White |

LED DOWNLIGHT LINDO

KEY FEATURES


- CCT switchable of 3000K, 4000K and 5700K
- The reflector in anodizing finish protects the fitting from getting yellow and corroding
- Dimmable with a triac dimmer
- Easy installation thanks to the push wire terminal block
- Up to 70% energy saving compared to standard CFL
- Long lifetime of 50,000 hours

IP20 IK02  650° GWT 106_{LM/W} LG CHIPS

APPLICATIONS



CERTIFICATIONS & DOCUMENTATION

 **CE** LVD, EMC, RoHS, ERP.

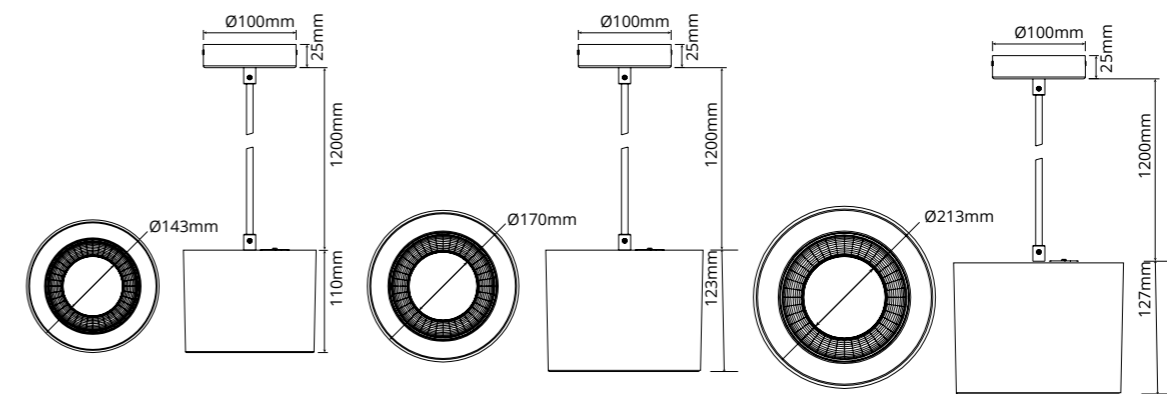


Specular Reflector Version

Back

| ITEM CODE | DESCRIPTION | W | LM | LM/W | KELVIN | CRI | BEAM | LIFETIME L80B10 | EQUIVALENT | COLOUR |
|-----------|---|----|-------------|--------|-------------------|-----|------|-----------------|------------|--------|
| 4603162 | LED Downlight Lindo FR 13W 3000K-5700K 3-CCT Ø143x110mm White | 13 | 1,090-1,300 | 84-100 | 3,000/4,000/5,700 | ≥80 | 90 | 50,000 | 1x18W | White |
| 4603179 | LED Downlight Lindo FR 18W 3000K-5700K 3-CCT Ø170x123mm White | 18 | 1,460-1,690 | 81/94 | 3,000/4,000/5,700 | ≥80 | 90 | 50,000 | 2x18W | White |
| 4603186 | LED Downlight Lindo FR 25W 3000K-5700K 3-CCT Ø213x127mm White | 25 | 2,280-2,650 | 91-106 | 3,000/4,000/5,700 | ≥80 | 90 | 50,000 | 2x26W | White |
| 4603223 | LED Downlight Lindo SR 13W 3000K-5700K 3-CCT Ø143x110mm UGR19 White | 13 | 1,130-1,310 | 87-101 | 3,000/4,000/5,700 | ≥80 | 60 | 50,000 | 1x18W | White |
| 4603230 | LED Downlight Lindo SR 18W 3000K-5700K 3-CCT Ø170x123mm UGR19 White | 18 | 1,530-1,760 | 85-98 | 3,000/4,000/5,700 | ≥80 | 60 | 50,000 | 2x18W | White |
| 4603247 | LED Downlight Lindo SR 25W 3000K-5700K 3-CCT Ø213x127mm UGR19 White | 25 | 2,280-2,650 | 91-106 | 3,000/4,000/5,700 | ≥80 | 60 | 50,000 | 2x26W | White |

DIMENSIONS



LED TRACKLIGHT ALLURE



Black

KEY FEATURES

- Creates a diversified atmosphere thanks to interchangeable reflectors
- Reliable quality and high performance due to Citizen COB and Tridonic driver
- 350° rotatable in horizontal direction and 90° rotatable in vertical direction
- Ideal heat dissipation thanks to aluminum heat sink
- 5 years warranty
- Long lifetime of 50,000 hours

IP20 IK06 650° GMT 105 LM/W CITIZEN CHIPS TRIDONIC DRIVER

APPLICATIONS



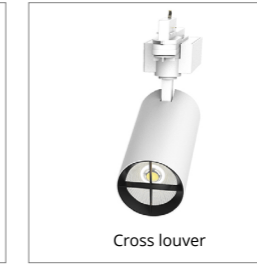
CERTIFICATIONS & DOCUMENTATION

CE LVD, EMC, RoHS, ERP.

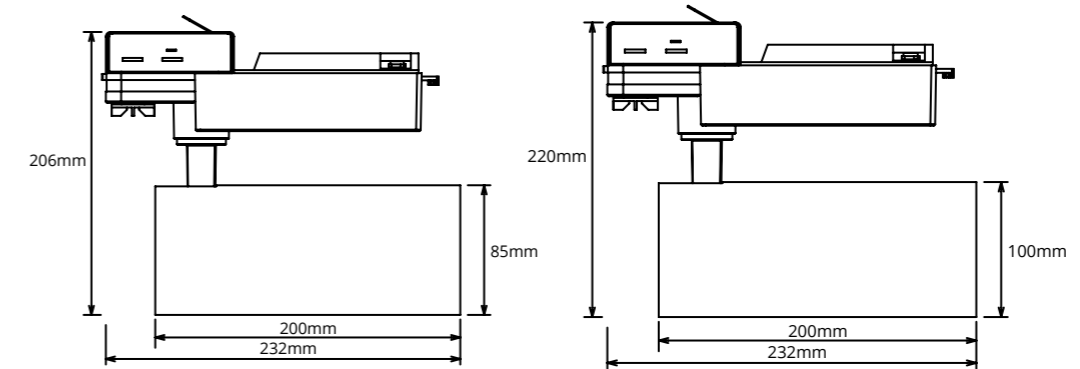
OPTIONS



ACCESSORIES



DIMENSIONS



| ITEM CODE | DESCRIPTION | W | LM | LM/W | KELVIN | CRI | BEAM | LIFETIME L80B10 | COLOUR |
|-----------|--|----|-------|------|--------|-----|------|-----------------|--------|
| 4606002 | LED Tracklight Allure 35W 3000K CRI>80 36° White | 35 | 3,150 | 90 | 3,000 | ≥80 | 36 | 50,000 | White |
| 4606019 | LED Tracklight Allure 35W 4000K CRI>80 36° White | 35 | 3,675 | 105 | 4,000 | ≥80 | 36 | 50,000 | White |
| 4606064 | LED Tracklight Allure 42W 3000K CRI>80 36° White | 42 | 3,990 | 95 | 3,000 | ≥80 | 36 | 50,000 | White |
| 4606071 | LED Tracklight Allure 42W 4000K CRI>80 36° White | 42 | 4,410 | 105 | 4,000 | ≥80 | 36 | 50,000 | White |
| 4606224 | LED Tracklight Allure 35W 3000K CRI>80 36° Black | 35 | 3,150 | 90 | 3,000 | ≥80 | 36 | 50,000 | Black |
| 4606231 | LED Tracklight Allure 35W 4000K CRI>80 36° Black | 35 | 3,675 | 105 | 4,000 | ≥80 | 36 | 50,000 | Black |
| 4606286 | LED Tracklight Allure 42W 3000K CRI>80 36° Black | 42 | 3,990 | 95 | 3,000 | ≥80 | 36 | 50,000 | Black |
| 4606293 | LED Tracklight Allure 42W 4000K CRI>80 36° Black | 42 | 4,410 | 105 | 4,000 | ≥80 | 36 | 50,000 | Black |

LED SPOTLIGHT ESSENCE

KEY FEATURES

- Fast installation
- Replacement of 50W halogen
- Up to 50% energy savings
- Efficiency up to 92lm/W
- Extra size ring, perfect for replacement.
- Payback time 1 to 3 years

IP20 IK03  **650° GWT** **92LM/W** **SAMSUNG**
CHIPS

APPLICATIONS



CERTIFICATIONS & DOCUMENTATION

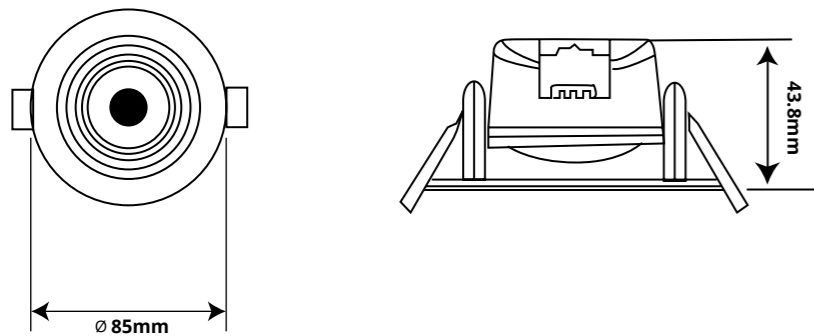
CE LVD, EMC, RoHS, ERP.



Junction box

| ITEM CODE | DESCRIPTION | W | LM | LM/W | KELVIN | CRI | BEAM | LIFETIME L80B10 | EQUIVALENT | COLOUR |
|-----------|---|-----|-----|------|--------|-----|------|-----------------|------------|--------|
| 4600598 | LED Spotlight Essence 6.5W 3000K 40° Ø85 Cutout Ø68-75 40° Tilttable WH | 6.5 | 550 | 85 | 3,000 | ≥80 | 40 | 30,000 | 50W Hal | White |
| 4600604 | LED Spotlight Essence 6.5W 4000K 40° Ø85 Cutout Ø68-75 40° Tilttable WH | 6.5 | 600 | 92 | 4,000 | ≥80 | 40 | 30,000 | 50W Hal | White |

DIMENSIONS



ALPHA MR16 SPOT

KEY FEATURES

- Highquality spot made of aluminium
- Ideal for mood or accent lighting
- Powdercoating finish
- Fast installation with GU10 fitting (supplied)
- Exclusive LED lamp, choose one of your choice
- GU10 fitting on 230V
- Diameter: 92mm
- Installation depth: 70mm
- 40 degrees tilttable

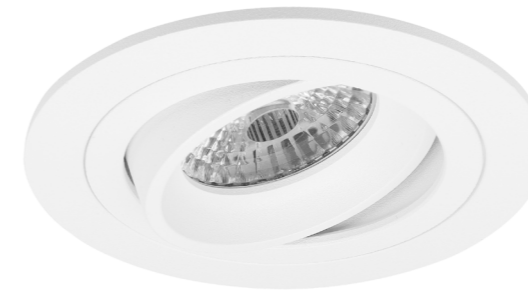
IP20

APPLICATIONS



CERTIFICATIONS & DOCUMENTATION

CE



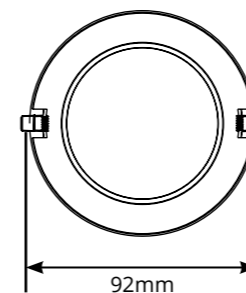
Black



Aluminium

| ITEM CODE | DESCRIPTION | EQUIVALENT | COLOUR |
|-----------|---|------------|----------|
| 4600154 | Alpha MR16 Spot Aluminium Ø92mm Cutout Ø80mm 40° Tilttable (Incl. GU10 Fitting) | 50W Hal | Aluminum |
| 4600161 | Alpha MR16 Spot White Ø92mm Cutout Ø80mm 40° Tilttable (Incl. GU10 Fitting) | 50W Hal | White |
| 4600178 | Alpha MR16 Spot Black Ø92mm Cutout Ø80mm 40° Tilttable (Incl. GU10 Fitting) | 50W Hal | Black |
| 4600185 | Alpha MR16 Spot Nickel Ø92mm Cutout Ø80mm 40° Tilttable (Incl. GU10 Fitting) | 50W Hal | Nickel |

DIMENSIONS



APOLLO DEEP ROUND MR16 SPOT

KEY FEATURES

- Highquality spot made of aluminium
- Ideal for mood or accent lighting
- Powdercoating finish
- Fast installation with GU10 fitting (supplied)
- Exclusive LED lamp, choose one of your choice
- GU10 fitting on 230V
- Diameter: 82mm
- Installation depth: 70mm

IP20

APPLICATIONS



CERTIFICATIONS & DOCUMENTATION

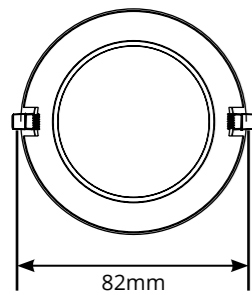
CE



Black

| ITEM CODE | DESCRIPTION | EQUIVALENT | COLOUR |
|-----------|---|------------|--------|
| 4600031 | Apollo Deep MR16 Spot Round White Ø82mm Cutout Ø70mm (Incl. GU10 Fitting) | 50W Hal | White |
| 4600048 | Apollo Deep MR16 Spot Round Black Ø82mm Cutout Ø70mm (Incl. GU10 Fitting) | 50W Hal | Black |

DIMENSIONS



APOLLO DEEP SQUARE MR16 SPOT

KEY FEATURES

- Highquality spot made of aluminium
- Ideal for mood or accent lighting
- Powdercoating finish
- Fast installation with GU10 fitting (supplied)
- Exclusive LED lamp, choose one of your choice
- GU10 fitting on 230V
- Diameter: 82mm x 82mm
- Installation depth: 70mm

IP20

APPLICATIONS



CERTIFICATIONS & DOCUMENTATION

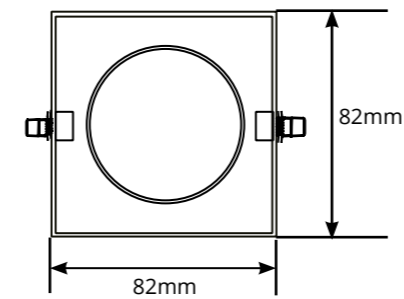
CE



Black

| ITEM CODE | DESCRIPTION | EQUIVALENT | COLOUR |
|-----------|--|------------|--------|
| 4600055 | Apollo Deep MR16 Spot Square White Ø82x82mm Cutout Ø70x70mm (Incl. GU10 Fitting) | 50W Hal | White |
| 4600062 | Apollo Deep MR16 Spot Square Black Ø82x82mm Cutout Ø70x70mm (Incl. GU10 Fitting) | 50W Hal | Black |

DIMENSIONS



AURA MR16 SPOT

KEY FEATURES

- Highquality spot made of aluminium
- Ideal for mood or accent lighting
- Powdercoating finish
- Fast installation with GU10 fitting (supplied)
- Exclusive LED lamp, choose one of your choice
- GU10 fitting on 230V
- Diameter: 82mm
- Installation depth: 70mm
- 40 degrees tiltable

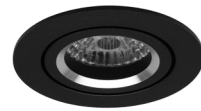
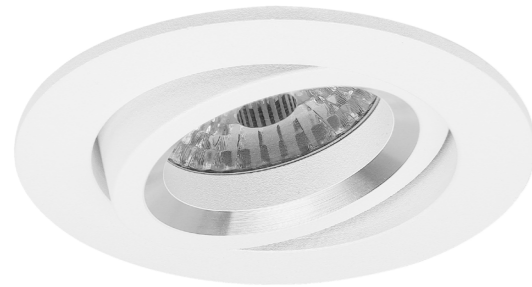
IP20

APPLICATIONS



CERTIFICATIONS & DOCUMENTATION

CE



Black



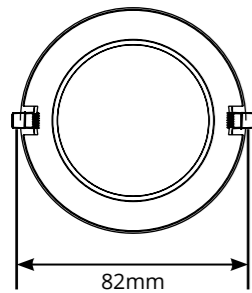
Nikel



Aluminium

| ITEM CODE | DESCRIPTION | EQUIVALENT | COLOUR |
|-----------|---|------------|-----------|
| 4600116 | Aura MR16 Spot Aluminum Ø82mm Cutout Ø69mm 40° Tilttable (Incl. GU10 Fitting) | 50W Hal | Aluminium |
| 4600123 | Aura MR16 Spot White Ø82mm Cutout Ø69mm 40° Tilttable (Incl. GU10 Fitting) | 50W Hal | White |
| 4600130 | Aura MR16 Spot Black Ø82mm Cutout Ø69mm 40° Tilttable (Incl. GU10 Fitting) | 50W Hal | Black |
| 4600147 | Aura MR16 Spot Nickel Ø82mm Cutout Ø69mm 40° Tilttable (Incl. GU10 Fitting) | 50W Hal | Nickel |

DIMENSIONS



BOXY MR16 SPOT

KEY FEATURES

- Highquality spot made of aluminium
- Ideal for mood or accent lighting
- Powdercoating finish
- Fast installation with GU10 fitting (supplied)
- Exclusive LED lamp, choose one of your choice
- GU10 fitting on 230V
- Dimensions: 92x92mm
- Installation depth: 70mm
- 40 degrees tiltable

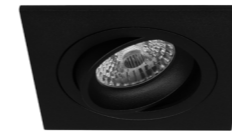
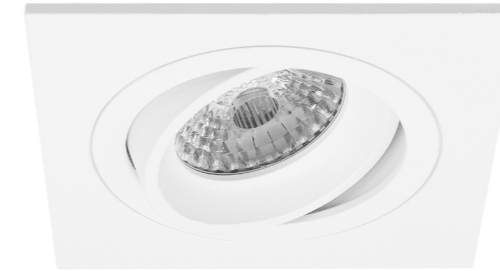
IP20

APPLICATIONS



CERTIFICATIONS & DOCUMENTATION

CE



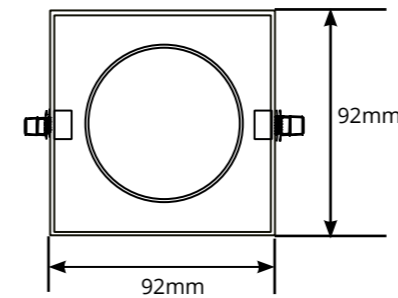
Black



Aluminium

| ITEM CODE | DESCRIPTION | EQUIVALENT | COLOUR |
|-----------|---|------------|-----------|
| 4600192 | Boxy MR16 Spot Aluminum Ø92x92mm Cutout Ø80x80mm 40° Tilttable (Incl. GU10 Fitting) | 50W Hal | Aluminium |
| 4600208 | Boxy MR16 Spot Black Ø92x92mm Cutout Ø80x80mm 40° Tilttable (Incl. GU10 Fitting) | 50W Hal | White |
| 4600215 | Boxy MR16 Spot Nickel Ø92x92mm Cutout Ø80x80mm 40° Tilttable (Incl. GU10 Fitting) | 50W Hal | Black |
| 4600222 | Boxy MR16 Spot White Ø92x92mm Cutout Ø80x80mm 40° Tilttable (Incl. GU10 Fitting) | 50W Hal | Nickel |

DIMENSIONS



DELTA MR16 SPOT

KEY FEATURES

- Highquality spot made of aluminium
- Ideal for mood or accent lighting
- Powdercoating finish
- Fast installation with GU10 fitting (supplied)
- Exclusive LED lamp, choose one of your choice
- GU10 fitting on 230V
- Diameter: 82mm
- Installation depth: 70mm
- 40 degrees tiltable

IP20

APPLICATIONS



CERTIFICATIONS & DOCUMENTATION

CE



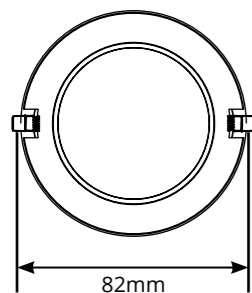
Black



Aluminium

| ITEM CODE | DESCRIPTION | EQUIVALENT | COLOUR |
|-----------|--|------------|----------|
| 4600031 | Delta MR16 Spot Aluminum Ø82mm Cutout Ø69mm 40° Tilttable (Incl. GU10 Fitting) | 50W Hal | Aluminum |
| 4600048 | Delta MR16 Spot White Ø82mm Cutout Ø69mm 40° Tilttable (Incl. GU10 Fitting) | 50W Hal | White |
| 4600055 | Delta MR16 Spot Black Ø82mm Cutout Ø69mm 40° Tilttable (Incl. GU10 Fitting) | 50W Hal | Black |
| 4600062 | Delta MR16 Spot Nickel Ø82mm Cutout Ø69mm 40° Tilttable (Incl. GU10 Fitting) | 50W Hal | Nickel |

DIMENSIONS



ORION MR16 SPOT

KEY FEATURES

- Highquality spot made of aluminium
- Ideal for mood or accent lighting
- Powdercoating finish
- Fast installation with GU10 fitting (supplied)
- Exclusive LED lamp, choose one of your choice
- GU10 fitting on 230V
- Diameter: 82mm
- Installation depth: 70mm
- 40 degrees tiltable

IP20

APPLICATIONS



CERTIFICATIONS & DOCUMENTATION

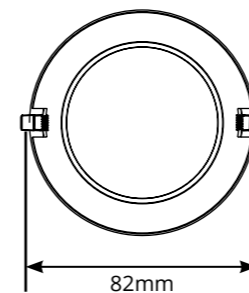
CE



Black

| ITEM CODE | DESCRIPTION | EQUIVALENT | COLOUR |
|-----------|--|------------|--------|
| 4600000 | Orion MR16 Spot White Ø82mm Cutout Ø70mm 40° Tilttable (Incl. GU10 Fitting) | 50W Hal | White |
| 4600017 | Orion MR16 Spot Black Ø82mm Cutout Ø70mm 40° Tilttable (Incl. GU10 Fitting) | 50W Hal | Black |
| 4600024 | Orion MR16 Spot Nickel Ø82mm Cutout Ø70mm 40° Tilttable (Incl. GU10 Fitting) | 50W Hal | Nickel |

DIMENSIONS





LED SPOTLIGHT LENA 1

KEY FEATURES

- Stylish and simple design
- Ideal option for leisure environment
- Multiple beam angles and surface rings can be provided on request to create diversified atmosphere
- Easy installation
- High safety performance thanks to short-circuit and overvoltage protection
- Long lifetime of 50,000 hours

IP20 IK02 650° GMT 100 LM/W CITIZEN CHIPS

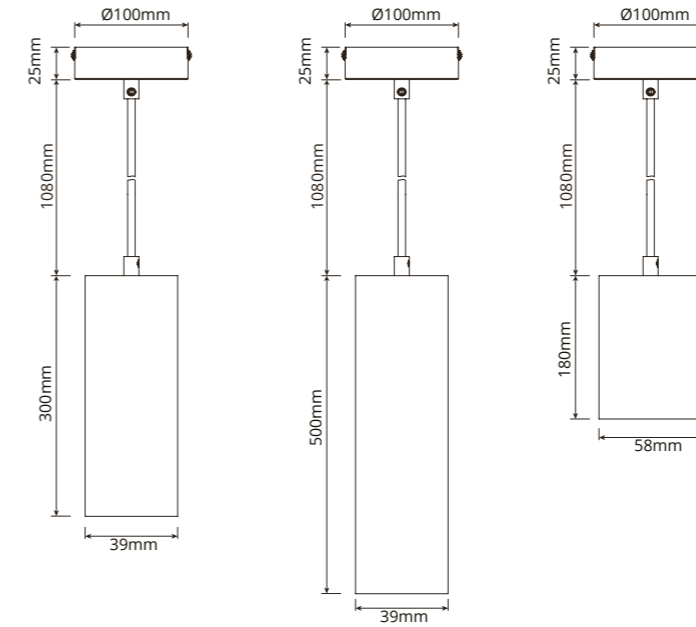
APPLICATIONS



CERTIFICATIONS & DOCUMENTATION

CE LVD, EMC, RoHS, ERP.

DIMENSIONS



| ITEM CODE | DESCRIPTION | W | LM | LM/W | KELVIN | CRI | BEAM | LIFETIME L80B10 | COLOUR |
|-----------|---|----|-------|------|--------|-----|------|-----------------|--------|
| 4603803 | LED Spotlight Lena Pendant 1x 5W 3000K CRI>80 36° Ø39x300mm Black + Silver Reflector | 5 | 500 | 100 | 3,000 | ≥80 | 36 | 50,000 | Black |
| 4603445 | LED Spotlight Lena Pendant 1x 5W 3000K CRI>80 36° Ø39x300mm White + Silver Reflector | 5 | 500 | 100 | 3,000 | ≥80 | 36 | 50,000 | White |
| 4603834 | LED Spotlight Lena Pendant 1x 5W 3000K CRI>80 36° Ø39x500mm Black + Silver Reflector | 5 | 500 | 100 | 3,000 | ≥80 | 36 | 50,000 | Black |
| 4603476 | LED Spotlight Lena Pendant 1x 5W 3000K CRI>80 36° Ø39x500mm White + Silver Reflector | 5 | 500 | 100 | 3,000 | ≥80 | 36 | 50,000 | White |
| 4603810 | LED Spotlight Lena Pendant 1x 5W 4000K CRI>80 36° Ø39x300mm Black + Silver Reflector | 5 | 500 | 100 | 4,000 | ≥80 | 36 | 50,000 | Black |
| 4603452 | LED Spotlight Lena Pendant 1x 5W 4000K CRI>80 36° Ø39x300mm White + Silver Reflector | 5 | 500 | 100 | 4,000 | ≥80 | 36 | 50,000 | White |
| 4603841 | LED Spotlight Lena Pendant 1x 5W 4000K CRI>80 36° Ø39x500mm Black + Silver Reflector | 5 | 500 | 100 | 4,000 | ≥80 | 36 | 50,000 | Black |
| 4603483 | LED Spotlight Lena Pendant 1x 5W 4000K CRI>80 36° Ø39x500mm White + Silver Reflector | 5 | 500 | 100 | 4,000 | ≥80 | 36 | 50,000 | White |
| 4603865 | LED Spotlight Lena Pendant 1x 10W 3000K CRI>80 36° Ø58x180mm Black + Silver Reflector | 10 | 1,000 | 100 | 3,000 | ≥80 | 36 | 50,000 | Black |
| 4603506 | LED Spotlight Lena Pendant 1x 10W 3000K CRI>80 36° Ø58x180mm White + Silver Reflector | 10 | 1,000 | 100 | 3,000 | ≥80 | 36 | 50,000 | White |
| 4603872 | LED Spotlight Lena Pendant 1x 10W 4000K CRI>80 36° Ø58x180mm Black + Silver Reflector | 10 | 1,000 | 100 | 4,000 | ≥80 | 36 | 50,000 | Black |
| 4603513 | LED Spotlight Lena Pendant 1x 10W 4000K CRI>80 36° Ø58x180mm White + Silver Reflector | 10 | 1,000 | 100 | 4,000 | ≥80 | 36 | 50,000 | White |

LED SPOTLIGHT LENA 2

KEY FEATURES


- Stylish and simple design
- Ideal option for leisure environment
- Multiple beam angles and surface rings can be provided on request to create diversified atmosphere
- Easy installation
- High safety performance thanks to short-circuit and overvoltage protection
- Long lifetime of 50,000 hours

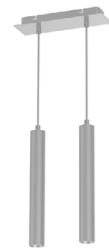
IP20 IK02  650°_{GWT} 110_{LM/W} 

APPLICATIONS



CERTIFICATIONS & DOCUMENTATION

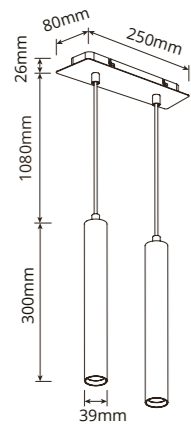
 LVD, EMC, RoHS, ERP.



Black

| ITEM CODE | DESCRIPTION | W | LM | LM/W | KELVIN | CRI | BEAM | LIFETIME L80B10 | COLOUR |
|-----------|---|----|-------|------|--------|-----|------|-----------------|--------|
| 4604169 | LED Spotlight Lena Pendant 2x 5W 3000K CR>80 36° Ø39x300mm Black + Silver Reflector | 10 | 1,000 | 100 | 3,000 | ≥80 | 36 | 50,000 | Black |
| 4604046 | LED Spotlight Lena Pendant 2x 5W 3000K CR>80 36° Ø39x300mm White + Silver Reflector | 10 | 1,000 | 100 | 3,000 | ≥80 | 36 | 50,000 | White |
| 4604176 | LED Spotlight Lena Pendant 2x 5W 4000K CR>80 36° Ø39x300mm Black + Silver Reflector | 10 | 1,100 | 110 | 3,000 | ≥80 | 36 | 50,000 | Black |
| 4604053 | LED Spotlight Lena Pendant 2x 5W 4000K CR>80 36° Ø39x300mm White + Silver Reflector | 10 | 1,100 | 110 | 4,000 | ≥80 | 36 | 50,000 | White |

DIMENSIONS



LED SPOTLIGHT LENA 3

KEY FEATURES


- Stylish and simple design
- Ideal option for leisure environment
- Multiple beam angles and surface rings can be provided on request to create diversified atmosphere
- Easy installation
- High safety performance thanks to short-circuit and overvoltage protection
- Long lifetime of 50,000 hours

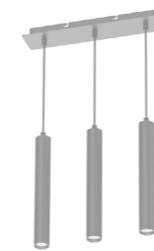
IP20 IK02  650°_{GWT} 110_{LM/W} 

APPLICATIONS



CERTIFICATIONS & DOCUMENTATION

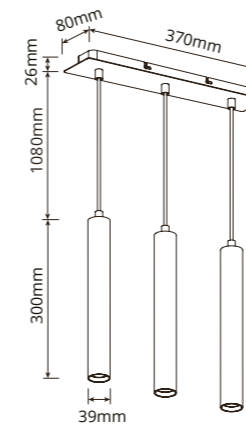
 LVD, EMC, RoHS, ERP.



Black

| ITEM CODE | DESCRIPTION | W | LM | LM/W | KELVIN | CRI | BEAM | LIFETIME L80B10 | COLOUR |
|-----------|--|----|-------|------|--------|-----|------|-----------------|--------|
| 4604404 | LED Spotlight Lena Pendant 3x 5W 3000K CRI>80 36° Ø39x300mm Black + Silver Reflector | 15 | 1,500 | 100 | 3,000 | ≥80 | 36 | 50,000 | Black |
| 4604282 | LED Spotlight Lena Pendant 3x 5W 3000K CRI>80 36° Ø39x300mm White + Silver Reflector | 15 | 1,500 | 100 | 3,000 | ≥80 | 36 | 50,000 | White |
| 4604411 | LED Spotlight Lena Pendant 3x 5W 4000K CRI>80 36° Ø39x300mm Black + Silver Reflector | 15 | 1,650 | 110 | 3,000 | ≥80 | 36 | 50,000 | Black |
| 4604299 | LED Spotlight Lena Pendant 3x 5W 4000K CRI>80 36° Ø39x300mm White + Silver Reflector | 15 | 1,650 | 110 | 4,000 | ≥80 | 36 | 50,000 | White |

DIMENSIONS



LED SPOTLIGHT LENA ROUND 3

KEY FEATURES


- Stylish and simple design
- Ideal option for leisure environment
- Multiple beam angles and surface rings can be provided on request to create diversified atmosphere
- Easy installation
- High safety performance thanks to short-circuit and overvoltage protection
- Long lifetime of 50,000 hours

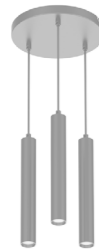
IP20 IK02  650°_{GWT} 110_{LM/W} 

APPLICATIONS



CERTIFICATIONS & DOCUMENTATION

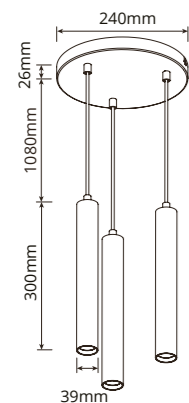
 LVD, EMC, RoHS, ERP.



Black

| ITEM CODE | DESCRIPTION | W | LM | LM/W | KELVIN | CRI | BEAM | LIFETIME L80B10 | COLOUR |
|-----------|--|----|-------|------|--------|-----|------|-----------------|--------|
| 4604640 | LED Spotlight Lena Pendant Round 3x 5W 3000K CRI>80 36° Ø39x300mm Black + Silver Reflector | 15 | 1,500 | 100 | 3,000 | ≥80 | 36 | 50,000 | Black |
| 4604527 | LED Spotlight Lena Pendant Round 3x 5W 3000K CRI>80 36° Ø39x300mm White + Silver Reflector | 15 | 1,500 | 100 | 3,000 | ≥80 | 36 | 50,000 | White |
| 4604657 | LED Spotlight Lena Pendant Round 3x 5W 4000K CRI>80 36° Ø39x300mm Black + Silver Reflector | 15 | 1,650 | 110 | 3,000 | ≥80 | 36 | 50,000 | Black |
| 4604534 | LED Spotlight Lena Pendant Round 3x 5W 4000K CRI>80 36° Ø39x300mm White + Silver Reflector | 15 | 1,650 | 110 | 3,000 | ≥80 | 36 | 50,000 | White |

DIMENSIONS



LED SPOTLIGHT SKY PENDANT

KEY FEATURES


- Stylish and simple design
- Ideal option for leisure environment
- Multiple beam angles and surface rings can be provided on request to create diversified atmosphere
- Easy installation
- High safety performance thanks to short-circuit and overvoltage protection
- Long lifetime of 50,000 hours

IP20 IK02  650°_{GWT} 96_{LM/W} 

APPLICATIONS



CERTIFICATIONS & DOCUMENTATION

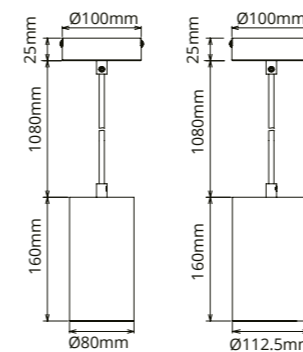
 LVD, EMC, RoHS, ERP.



White

| ITEM CODE | DESCRIPTION | W | LM | LM/W | KELVIN | CRI | BEAM | LIFETIME L80B10 | COLOUR |
|-----------|--|----|-------|------|--------|-----|------|-----------------|--------|
| 4602943 | LED Spotlight Sky Pendant 18W 3000K CRI>80 36° Ø80x160 Black + Silver Reflector | 18 | 1,730 | 96 | 3,000 | ≥80 | 36 | 50,000 | Black |
| 4602585 | LED Spotlight Sky Pendant 18W 3000K CRI>80 36° Ø80x160 White + Silver Reflector | 18 | 1,730 | 96 | 3,000 | ≥80 | 36 | 50,000 | White |
| 4602950 | LED Spotlight Sky Pendant 18W 4000K CRI>80 36° Ø80x160 Black + Silver Reflector | 18 | 1,730 | 96 | 4,000 | ≥80 | 36 | 50,000 | Black |
| 4602592 | LED Spotlight Sky Pendant 18W 4000K CRI>80 36° Ø80x160 White + Silver Reflector | 18 | 1,730 | 96 | 4,000 | ≥80 | 36 | 50,000 | White |
| 4602967 | LED Spotlight Sky Pendant 25W 3000K CRI>80 36° Ø112.5x160 Black + Silver Reflector | 25 | 2,250 | 90 | 3,000 | ≥80 | 36 | 50,000 | Black |
| 4602608 | LED Spotlight Sky Pendant 25W 3000K CRI>80 36° Ø112.5x160 White + Silver Reflector | 25 | 2,250 | 90 | 3,000 | ≥80 | 36 | 50,000 | White |
| 4602974 | LED Spotlight Sky Pendant 25W 4000K CRI>80 36° Ø112.5x160 Black + Silver Reflector | 25 | 2,300 | 92 | 4,000 | ≥80 | 36 | 50,000 | Black |
| 4602615 | LED Spotlight Sky Pendant 25W 4000K CRI>80 36° Ø112.5x160 White + Silver Reflector | 25 | 2,300 | 92 | 4,000 | ≥80 | 36 | 50,000 | White |

DIMENSIONS



LED SPOTLIGHT SKY SM



White

KEY FEATURES


- Stylish and simple design
- Ideal option for leisure environment
- Multiple beam angles and surface rings can be provided on request to create diversified atmosphere
- Easy installation
- High safety performance thanks to short-circuit and overvoltage protection
- Long lifetime of 50,000 hours

IP20 IK02  650° GMT 96 LM/W 

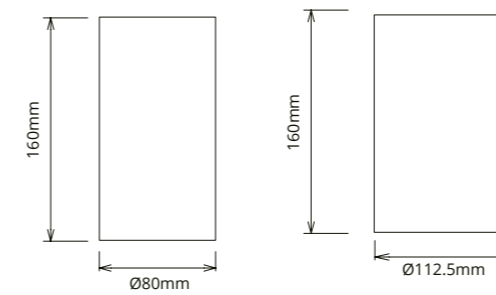
APPLICATIONS



CERTIFICATIONS & DOCUMENTATION

 **CE** LVD, EMC, RoHS, ERP.

DIMENSIONS



| ITEM CODE | DESCRIPTION | W | LM | LM/W | KELVIN | CRI | BEAM | LIFETIME L80B 10 | COLOUR |
|-----------|---|----|-------|------|--------|-----|------|------------------|--------|
| 4603124 | LED Spotlight Sky SM 18W 3000K CRI>80 36° Ø80x160 Black + Silver Reflector | 18 | 1,730 | 96 | 3,000 | ≥80 | 36 | 50,000 | Black |
| 4602769 | LED Spotlight Sky SM 18W 3000K CRI>80 36° Ø80x160 White + Silver Reflector | 18 | 1,730 | 96 | 3,000 | ≥80 | 36 | 50,000 | White |
| 4603131 | LED Spotlight Sky SM 18W 4000K CRI>80 36° Ø80x160 Black + Silver Reflector | 18 | 1,730 | 96 | 4,000 | ≥80 | 36 | 50,000 | Black |
| 4602776 | LED Spotlight Sky SM 18W 4000K CRI>80 36° Ø80x160 White + Silver Reflector | 18 | 1,730 | 96 | 4,000 | ≥80 | 36 | 50,000 | White |
| 4603148 | LED Spotlight Sky SM 25W 3000K CRI>80 36° Ø112.5x160 Black + Silver Reflector | 25 | 2,250 | 90 | 3,000 | ≥80 | 36 | 50,000 | Black |
| 4602783 | LED Spotlight Sky SM 25W 3000K CRI>80 36° Ø112.5x160 White + Silver Reflector | 25 | 2,250 | 90 | 3,000 | ≥80 | 36 | 50,000 | White |
| 4603155 | LED Spotlight Sky SM 25W 4000K CRI>80 36° Ø112.5x160 Black + Silver Reflector | 25 | 2,300 | 92 | 4,000 | ≥80 | 36 | 50,000 | Black |
| 4602790 | LED Spotlight Sky SM 25W 4000K CRI>80 36° Ø112.5x160 White + Silver Reflector | 25 | 2,300 | 92 | 4,000 | ≥80 | 36 | 50,000 | White |

LED CEILING LIGHT MOON



KEY FEATURES

- Creates a 3D effect thanks to the circular light output
- Rotates the buckle on the base for easy installation
- The curved light distribution brings a comfortable visual experience
- Up to 70% energy saving compared to standard CFL
- Surface mounted or suspended installation optional
- Long lifetime of 50,000 hours

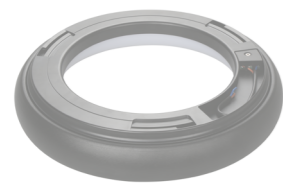
IP40 IK08 650° GWT 91 LM/W

APPLICATIONS



CERTIFICATIONS & DOCUMENTATION

LVD, EMC, RoHS, ERP.



Black



Suspension version

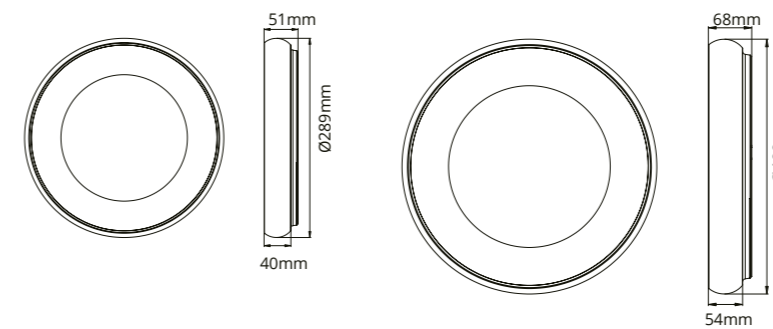
| ITEM CODE | DESCRIPTION | W | LM | LM/W | KELVIN | CRI | BEAM | LIFETIME L80B10 | EQUIVALENT | COLOUR |
|-----------|---|----|-------|------|--------|-----|------|-----------------|------------|--------|
| 4605753 | LED Ceiling Light Moon 25W 3000K Ø298mm Black | 25 | 1,950 | 78 | 3,000 | ≥80 | 120 | 50,000 | 2x18W | Black |
| 4605760 | LED Ceiling Light Moon 25W 4000K Ø298mm Black | 25 | 2,100 | 84 | 4,000 | ≥80 | 120 | 50,000 | 2x18W | Black |
| 4605777 | LED Ceiling Light Moon 35W 3000K Ø400mm Black | 35 | 2,900 | 83 | 3,000 | ≥80 | 120 | 50,000 | 2x26W | Black |
| 4605784 | LED Ceiling Light Moon 35W 4000K Ø400mm Black | 35 | 3,200 | 91 | 4,000 | ≥80 | 120 | 50,000 | 2x26W | Black |

ACCESSORIES



Suspension kit black

DIMENSIONS



WARRANTY

LED CEILING LIGHT RONDO

KEY FEATURES


- Elegant design with soft lighting effect
- Decorative light in most applications
- Multiple dimensions for different situations
- Up to 70% energy saving compared to standard CFL
- 5 years warranty
- Long lifetime of 50,000 hours

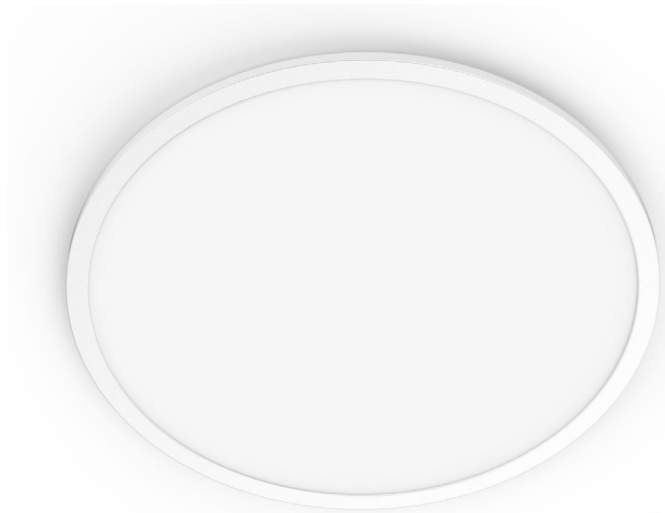
IP40 IK02  650°_{GWT} 84_{LM/W} 

APPLICATIONS



CERTIFICATIONS & DOCUMENTATION

 LVD, EMC, RoHS, ERP.



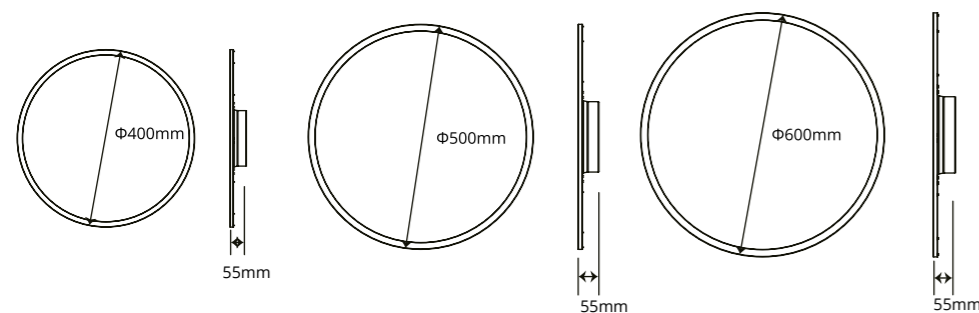
Detail



Back

| ITEM CODE | DESCRIPTION | W | LM | LM/W | KELVIN | CRI | BEAM | LIFETIME L80B10 | COLOUR |
|-----------|--|----|-------|------|--------|-----|------|-----------------|--------|
| 4601342 | LED Ceiling Light Rondo 35W 3000K Ø400mm | 35 | 2,870 | 82 | 3,000 | ≥80 | 120 | 50,000 | White |
| 4601359 | LED Ceiling Light Rondo 35W 4000K Ø400mm | 35 | 2,970 | 85 | 4,000 | ≥80 | 120 | 50,000 | White |
| 4601427 | LED Ceiling Light Rondo 35W 3000K Ø500mm | 35 | 2,590 | 74 | 3,000 | ≥80 | 120 | 50,000 | White |
| 4601434 | LED Ceiling Light Rondo 35W 4000K Ø500mm | 35 | 2,625 | 75 | 4,000 | ≥80 | 120 | 50,000 | White |
| 4601465 | LED Ceiling Light Rondo 35W 3000K Ø600mm | 35 | 2,830 | 81 | 3,000 | ≥80 | 120 | 50,000 | White |
| 4601472 | LED Ceiling Light Rondo 35W 4000K Ø600mm | 35 | 2,940 | 84 | 4,000 | ≥80 | 120 | 50,000 | White |
| 4601502 | LED Ceiling Light Rondo 45W 3000K Ø600mm | 45 | 3,375 | 75 | 3,000 | ≥80 | 120 | 50,000 | White |
| 4601519 | LED Ceiling Light Rondo 45W 4000K Ø600mm | 45 | 3,475 | 77 | 4,000 | ≥80 | 120 | 50,000 | White |

DIMENSIONS



LED PENDANT RONDO

KEY FEATURES


- Elegant design with soft lighting effect
- Decorative light in most applications
- Multiple dimensions for different situations
- Up to 70% energy saving compared to standard CFL
- 5 years warranty
- Long lifetime of 50,000 hours

IP40 IK02  650°_{GWT} 84_{LM/W} 

APPLICATIONS



CERTIFICATIONS & DOCUMENTATION

 LVD, EMC, RoHS, ERP.



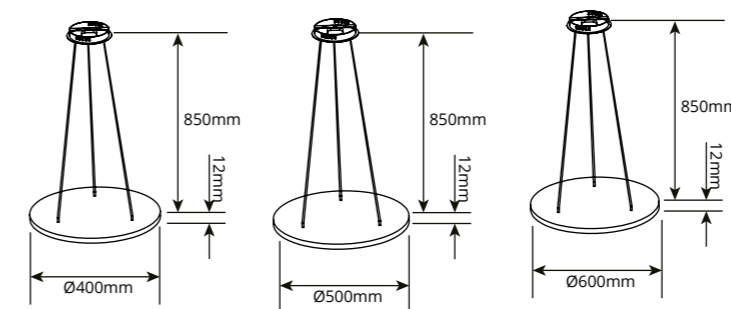
Detail 1



Detail 2

| ITEM CODE | DESCRIPTION | W | LM | LM/W | KELVIN | CRI | BEAM | LIFETIME L80B10 | COLOUR |
|-----------|------------------------------------|----|-------|------|--------|-----|------|-----------------|--------|
| 4601328 | LED Pendant Rondo 35W 3000K Ø400mm | 35 | 2,870 | 82 | 3,000 | ≥80 | 120 | 50,000 | White |
| 4601335 | LED Pendant Rondo 35W 4000K Ø400mm | 35 | 2,970 | 85 | 4,000 | ≥80 | 120 | 50,000 | White |
| 4601403 | LED Pendant Rondo 35W 3000K Ø500mm | 35 | 2,590 | 74 | 3,000 | ≥80 | 120 | 50,000 | White |
| 4601410 | LED Pendant Rondo 35W 4000K Ø500mm | 35 | 2,625 | 75 | 4,000 | ≥80 | 120 | 50,000 | White |
| 4601441 | LED Pendant Rondo 35W 3000K Ø600mm | 35 | 2,830 | 81 | 3,000 | ≥80 | 120 | 50,000 | White |
| 4601458 | LED Pendant Rondo 35W 4000K Ø600mm | 35 | 2,940 | 84 | 4,000 | ≥80 | 120 | 50,000 | White |
| 4601489 | LED Pendant Rondo 45W 3000K Ø600mm | 45 | 3,375 | 75 | 3,000 | ≥80 | 120 | 50,000 | White |
| 4601496 | LED Pendant Rondo 45W 4000K Ø600mm | 45 | 3,475 | 77 | 4,000 | ≥80 | 120 | 50,000 | White |

DIMENSIONS



LED PENDANT LINEX

KEY FEATURES


- CCT switchable of 3000K, 4000K and 5700K
- LED module changable with easy installation
- Reflector type and diffuser type optional
- Suspended, surface mounted and splicing installation optional with different accessories
- 5 years warranty
- Long lifetime of 50,000 hours

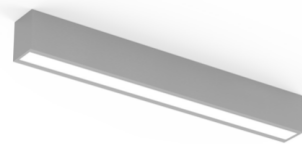
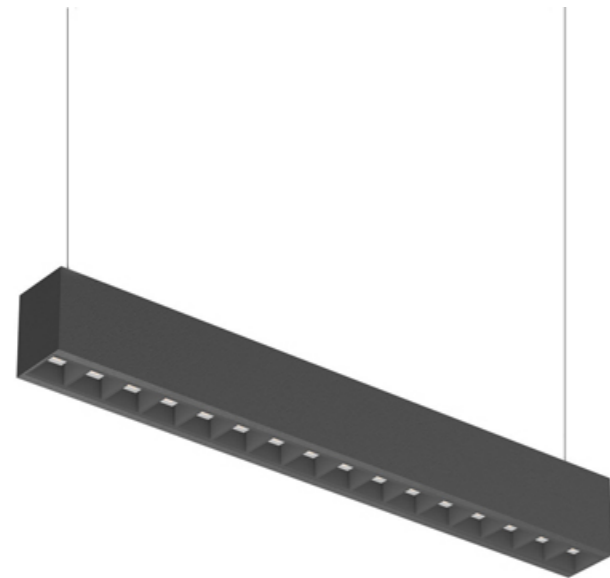
IP20 IK02  650° GWT 130_{LM/W} 

APPLICATIONS



CERTIFICATIONS & DOCUMENTATION

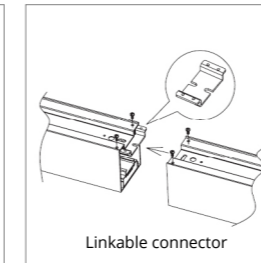
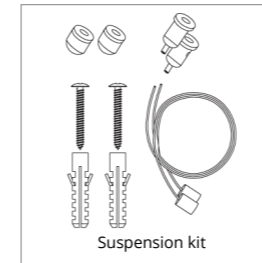
 **LVD, EMC, RoHS, ERP.**



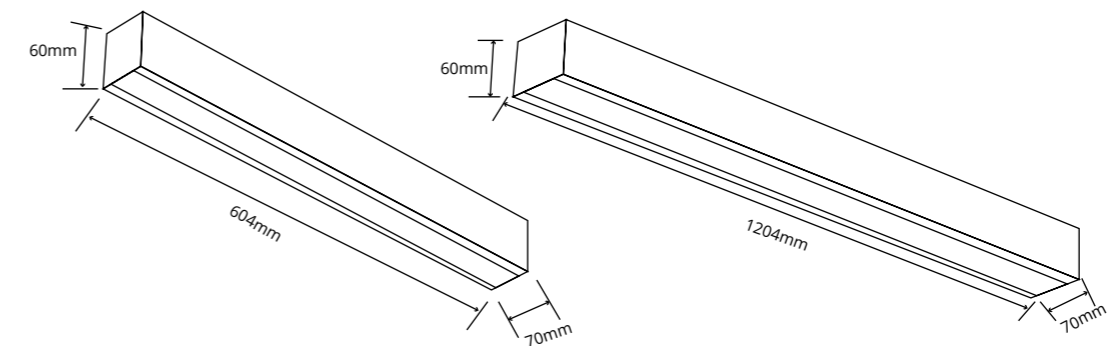
Black

| ITEM CODE | DESCRIPTION | W | LM | LM/W | KELVIN | CRI | BEAM | LIFETIME L80B10 | COLOUR |
|-----------|---|----|-------------|---------|-------------------|-----|------|-----------------|--------|
| 4605678 | LED Pendant Linex Reflector BK 20W 600 3000K-5700K 3-CCT Black | 20 | 2,100-2,500 | 105-125 | 3,000/4,000/5,700 | ≥80 | 100 | 50,000 | Black |
| 4605685 | LED Pendant Linex Diffuser 20W 600 3000K-5700K 3-CCT Black | 20 | 2,100-2,500 | 105-125 | 3,000/4,000/5,700 | ≥80 | 100 | 50,000 | Black |
| 4605692 | LED Pendant Linex Reflector BK 40W 1200 3000K-5700K 3-CCT Black | 40 | 4,400-5,200 | 110-130 | 3,000/4,000/5,700 | ≥80 | 100 | 50,000 | Black |
| 4605708 | LED Pendant Linex Diffuser 40W 1200 3000K-5700K 3-CCT Black | 40 | 4,400-5,200 | 110-130 | 3,000/4,000/5,700 | ≥80 | 100 | 50,000 | Black |

ACCESSORIES



DIMENSIONS



LED PENDANT DUBLO

KEY FEATURES


- Enjoys a unique and stylish design
- Upside ambient lighting and downside main lighting
- Invisible LED source reveals even light output
- Perfect heat dissipation due to aluminum body
- 1-10V dimming function
- Long lifetime of 50,000 hours

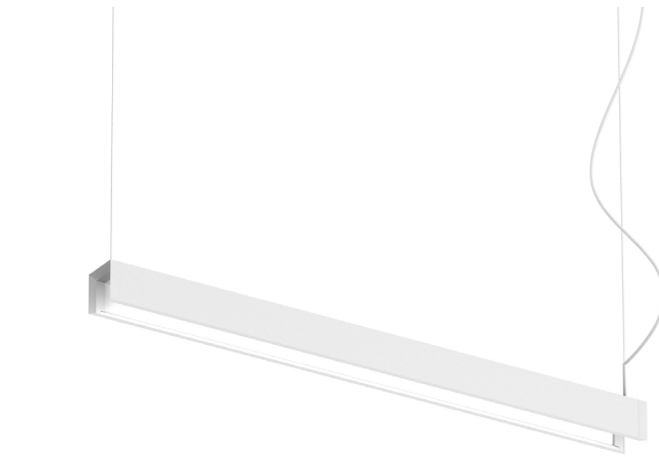
IP20 IK02  650°_{GWT} 84_{LM/W} 

APPLICATIONS



CERTIFICATIONS & DOCUMENTATION

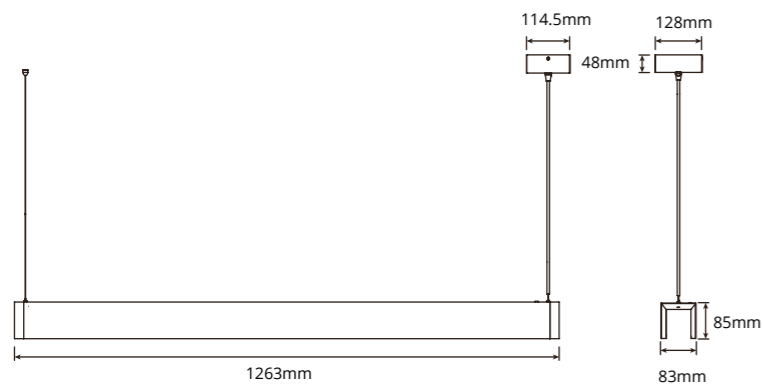
 LVD, EMC, RoHS, ERP.



Back

| ITEM CODE | DESCRIPTION | W | LM | LM/W | KELVIN | CRI | BEAM | LIFETIME L80B10 | COLOUR |
|-----------|--|----|-----------|------|--------|-----|------|-----------------|-----------|
| 4605739 | LED Pendant Dublo Up/Down 38W 1263mm 3000K 0-10V Dim Sand Grey | 38 | 600/3,200 | 84 | 3,000 | ≥80 | 120 | 50,000 | Sand Grey |
| 4605746 | LED Pendant Dublo Up/Down 38W 1263mm 4000K 0-10V Dim Sand Grey | 38 | 600/3,200 | 84 | 4,000 | ≥80 | 120 | 50,000 | Sand Grey |

DIMENSIONS



LED BATTEN LINEA

KEY FEATURES


- CCT switchable of 3000K, 4000K and 5700K
- Loopin and poolout fuction for easy installation
- 4 button click for fast disassembly
- 600mm, 1200mm and 1500mm available for different application
- Long lifetime of 50,000 hours

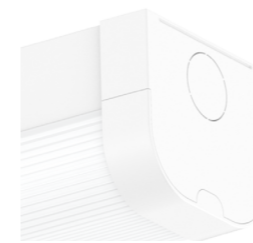
IP20 IK08  650°_{GWT} 120_{LM/W} 

APPLICATIONS



CERTIFICATIONS & DOCUMENTATION

 LVD, EMC, RoHS, ERP.



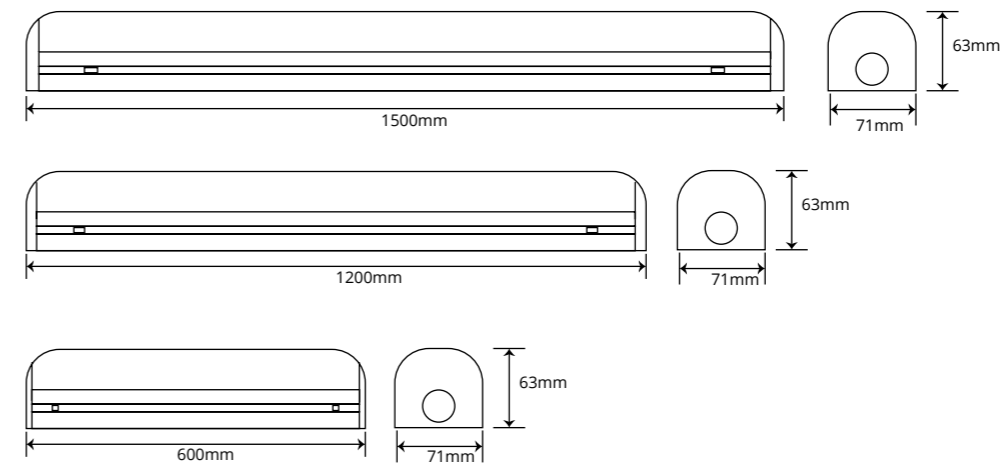
Detail 1



Detail 2

| ITEM CODE | DESCRIPTION | W | LM | LM/W | KELVIN | CRI | BEAM | LIFETIME L80B10 | COLOUR |
|-----------|---|----|-------------|---------|-------------------|-----|------|-----------------|--------|
| 4605586 | LED Batten Linea 20W 600 3000K-5700K 3-CCT | 20 | 1,800-2,200 | 90-110 | 3,000/4,000/5,700 | ≥80 | 120 | 50,000 | White |
| 4605616 | LED Batten Linea 40W 1200 3000K-5700K 3-CCT | 40 | 4,000-4,600 | 100-115 | 3,000/4,000/5,700 | ≥80 | 120 | 50,000 | White |
| 4605647 | LED Batten Linea 50W 1500 3000K-5700K 3-CCT | 50 | 4,800-6,000 | 96-120 | 3,000/4,000/5,700 | ≥80 | 120 | 50,000 | White |

DIMENSIONS



LED BULKHEAD POLO IP44

KEY FEATURES


- High quality LED ceiling and wall fixture
- Lifetime 50,000 hours
- Integrated LED driver
- Fast and easy installation
- Uniform light distribution
- Possible through-wiring
- Excellent price-quality ratio
- Energy savings up to 50%
- 5 year Pragmalux warranty

IP44 IK03  **650° GWT** **94 LM/W** 

APPLICATIONS



CERTIFICATIONS & DOCUMENTATION

 **LVD, EMC, RoHS, ERP.**

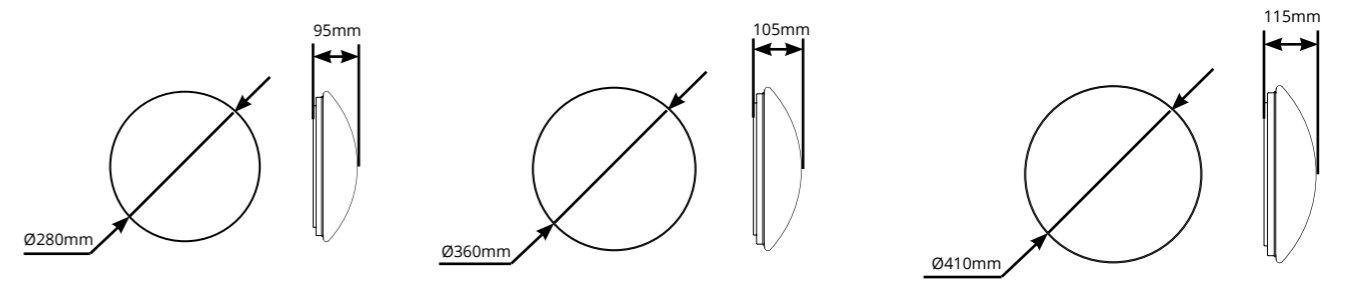
OPTIONS



ACCESSORIES



DIMENSIONS



| ITEM CODE | DESCRIPTION | W | LM | LM/W | KELVIN | CRI | BEAM | LIFETIME L80B10 | COLOUR |
|-----------|--|----|-------|------|--------|-----|------|-----------------|--------|
| 4600734 | LED Bulkhead Polo IP44 12W 3000K Ø280mm | 12 | 1,000 | 83 | 3,000 | ≥80 | 120 | 50,000 | White |
| 4600741 | LED Bulkhead Polo IP44 12W 4000K Ø280mm | 12 | 1,000 | 83 | 4,000 | ≥80 | 120 | 50,000 | White |
| 4600758 | LED Bulkhead Polo IP44 12W 3000K Ø280mm Microwave Sensor | 12 | 1,100 | 92 | 3,000 | ≥80 | 120 | 50,000 | White |
| 4600765 | LED Bulkhead Polo IP44 12W 4000K Ø280mm Microwave Sensor | 12 | 1,100 | 92 | 4,000 | ≥80 | 120 | 50,000 | White |
| 4600772 | LED Bulkhead Polo IP44 18W 3000K Ø360mm | 18 | 1,550 | 86 | 3,000 | ≥80 | 120 | 50,000 | White |
| 4600789 | LED Bulkhead Polo IP44 18W 4000K Ø360mm | 18 | 1,550 | 86 | 4,000 | ≥80 | 120 | 50,000 | White |
| 4600796 | LED Bulkhead Polo IP44 18W 3000K Ø360mm Microwave Sensor | 18 | 1,700 | 94 | 3,000 | ≥80 | 120 | 50,000 | White |
| 4600802 | LED Bulkhead Polo IP44 18W 4000K Ø360mm Microwave Sensor | 18 | 1,700 | 94 | 4,000 | ≥80 | 120 | 50,000 | White |
| 4600819 | LED Bulkhead Polo IP44 22W 3000K Ø410mm | 22 | 1,950 | 89 | 3,000 | ≥80 | 120 | 50,000 | White |
| 4600826 | LED Bulkhead Polo IP44 22W 4000K Ø410mm | 22 | 1,950 | 89 | 4,000 | ≥80 | 120 | 50,000 | White |
| 4600833 | LED Bulkhead Polo IP44 22W 3000K Ø410mm Microwave Sensor | 22 | 2,075 | 94 | 3,000 | ≥80 | 120 | 50,000 | White |
| 4600840 | LED Bulkhead Polo IP44 22W 4000K Ø410mm Microwave Sensor | 22 | 2,075 | 94 | 4,000 | ≥80 | 120 | 50,000 | White |

LED BULKHEAD VENUS

KEY FEATURES


- CCT switchable of 3000K, 4000K and 5700K
- Push-wire terminal block for easy installation
- Low maintenance cost due to easy replacement of driver
- Through-wiring possible
- High lumen output with a total package of solutions
- 5 years warranty
- Long lifetime of 50,000 hours

IP65 IK10  **650°** EWV **108** M/W 

APPLICATIONS



CERTIFICATIONS & DOCUMENTATION

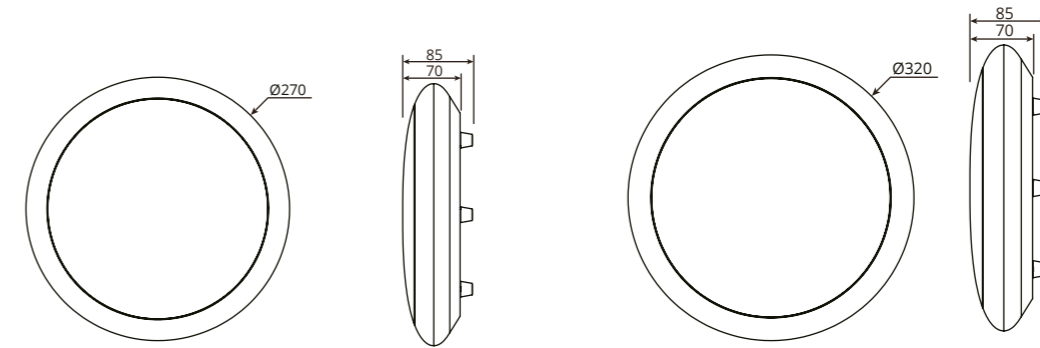
 **CE** LVD, EMC, RoHS, ERP.

OPTIONS



Back

DIMENSIONS



| ITEM CODE | DESCRIPTION | W | LM | LM/W | KELVIN | CRI | BEAM | LIFETIME L80B10 | COLOUR |
|-----------|---|----|-------------|---------|-------------------|-----|------|-----------------|--------|
| 4605531 | LED Bulkhead Venus IP65 12W 3000K-5700K 3-CCT Ø270mm White | 12 | 1,120-1,200 | 93-100 | 3,000/4,000/5,700 | ≥80 | 110 | 50,000 | White |
| 4605593 | LED Bulkhead Venus IP65 12W 3000K-5700K 3-CCT Ø270mm White Microwave Sensor | 12 | 1,120-1,200 | 93-100 | 3,000/4,000/5,700 | ≥80 | 110 | 50,000 | White |
| 4605562 | LED Bulkhead Venus IP65 12W 3000K-5700K 3-CCT Ø270mm White EM3 | 12 | 1,120-1,200 | 93-100 | 3,000/4,000/5,700 | ≥80 | 110 | 50,000 | White |
| 4605548 | LED Bulkhead Venus IP65 18W 3000K-5700K 3-CCT Ø320mm White | 18 | 1,800-1,940 | 100-108 | 3,000/4,000/5,700 | ≥80 | 110 | 50,000 | White |
| 4605579 | LED Bulkhead Venus IP65 18W 3000K-5700K 3-CCT Ø320mm White EM3 | 18 | 1,800-1,940 | 100-108 | 3,000/4,000/5,700 | ≥80 | 110 | 50,000 | White |
| 4605609 | LED Bulkhead Venus IP65 18W 3000K-5700K 3-CCT Ø320mm White Microwave Sensor | 18 | 1,800-1,940 | 100-108 | 3,000/4,000/5,700 | ≥80 | 110 | 50,000 | White |
| 4605555 | LED Bulkhead Venus IP65 18W 3000K-5700K 3-CCT Ø320mm White Microwave Sensor + EM3 | 18 | 1,800-1,940 | 100-108 | 3,000/4,000/5,700 | ≥80 | 110 | 50,000 | White |

LED BULKHEAD ECLIPSE

KEY FEATURES

- CCT switchable of 3000K, 4000K and 5700K
- Power switchable of 15W, 18W and 25W
- Low maintenance cost due to easy replacement of driver
- Through-wiring possible
- High lumen output with a total package of solutions
- Easy installation due to push-wire terminal block and rotation cover design
- Long lifetime of 50,000 hours

IP65 IK10  **650°** GWT **98** LM/W **LG** CHIPS

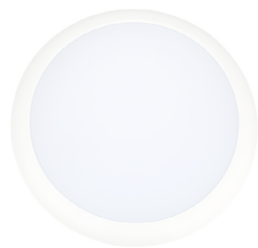
APPLICATIONS



CERTIFICATIONS & DOCUMENTATION

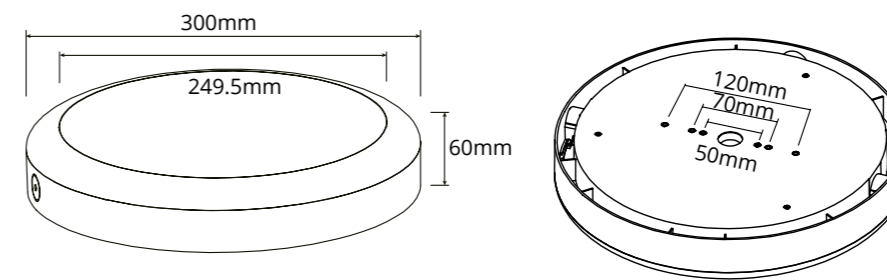
CE LVD, EMC, RoHS, ERP.

OPTIONS



Front

DIMENSIONS



| ITEM CODE | DESCRIPTION | W | LM | LM/W | KELVIN | CRI | BEAM | LIFETIME L80B10 | COLOUR |
|-----------|--|----|-------------|-------|-------------------|-----|------|-----------------|--------|
| | | 15 | 1,380-1,470 | | | | | | |
| 4605524 | LED Bulkhead Eclipse IP65 15W-25W 3000K-5700K 3-CCT/Wattage Ø300mm White | 18 | 1,560-1,710 | 83-98 | 3,000/4,000/5,700 | ≥80 | 110 | 50,000 | White |
| | | 25 | 2,075-2,320 | | | | | | |

LED WATERPROOF ESSENCE

KEY FEATURES

- Professional IP65 Waterproof fixture with modern design
- Lifetime of 50,000 hours
- Premium Osram LED Driver
- 3x1.5mm² and fast connectors at 2 ends for a quick (toolless) installation
- Replaces fixtures with TL tubes
- 120+ lumen per watt
- Payback time 1 to 2 years
- 5-year Pragmalux Warranty



APPLICATIONS



CERTIFICATIONS & DOCUMENTATION



OPTIONS

3,000K 5,000K



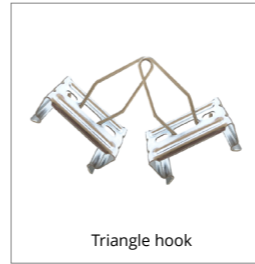
Side



Back

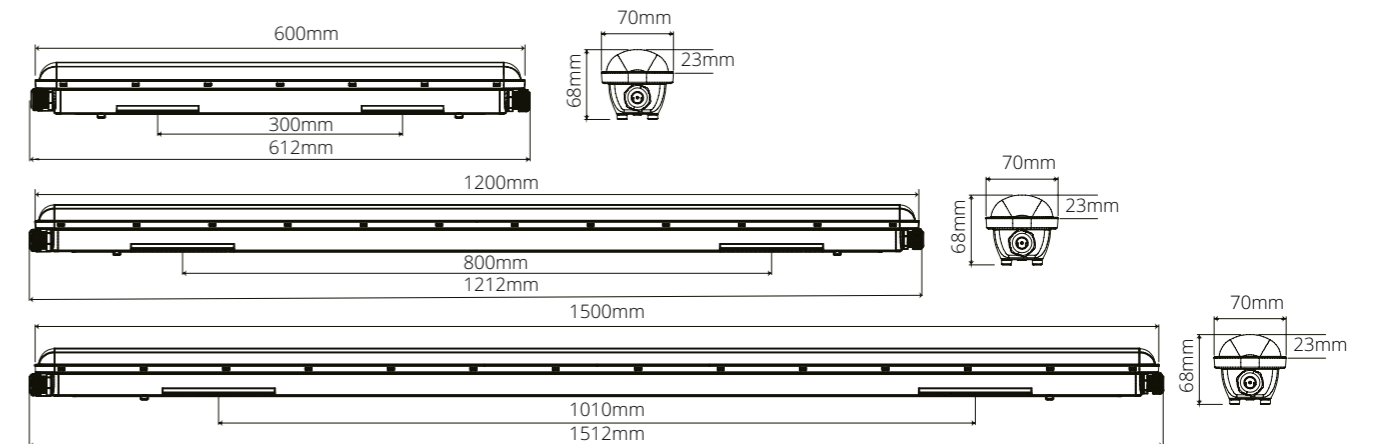
| ITEM CODE | DESCRIPTION | W | LM | LM/W | KELVIN | CRI | BEAM | LIFETIME L80B10 | EQUIVALENT | COLOUR |
|-----------|---|----|-------|------|--------|-----|------|-----------------|------------|--------|
| 4600505 | LED Waterproof Essence IP65 24W 600 4000K Incl. 3x1.5mm TW | 24 | 2,880 | 120 | 4,000 | ≥80 | 120 | 50,000 | 2x18W | Grey |
| 4600499 | LED Waterproof Essence IP65 20W 1200 4000K Incl. 3x1.5mm TW | 20 | 2,600 | 130 | 4,000 | ≥80 | 120 | 50,000 | 1x36W | Grey |
| 4600475 | LED Waterproof Essence IP65 30W 1500 4000K Incl. 3x1.5mm TW | 30 | 3,700 | 123 | 4,000 | ≥80 | 120 | 50,000 | 1x58W | Grey |
| 4600482 | LED Waterproof Essence IP65 36W 1200 4000K Incl. 3x1.5mm TW | 36 | 4,420 | 123 | 4,000 | ≥80 | 120 | 50,000 | 2x36W | Grey |
| 4600468 | LED Waterproof Essence IP65 50W 1500 4000K Incl. 3x1.5mm TW | 50 | 6,250 | 125 | 4,000 | ≥80 | 120 | 50,000 | 2x58W | Grey |

ACCESSORIES



Triangle hook

DIMENSIONS



LED WATERPROOF CYCLONE

KEY FEATURES

- High-end Professional IP66 Waterproof fixture with robust design
- Samsung LED chips with a long lifetime of 76,000 hours
- Premium Osram and Tridonic LED Driver
- 5x2.5mm² and fast connectors at 2 ends for a quick (toolless) installation
- Included stainless steel clips INOX
- 130+ lumen per watt
- Applicable in extreme conditions due to aluminum housing



IP66 IK10 650° CWT 143 LM/W THROUGH-WIRING 5X2.5mm² TRIDONIC OSRAM DRIVER SAMSUNG CHIPS

APPLICATIONS



CERTIFICATIONS & DOCUMENTATION

CE LVD, EMC, RoHS, ERP.

OPTIONS

DALI SENSOR RF/PIR 3,000K 5,000K

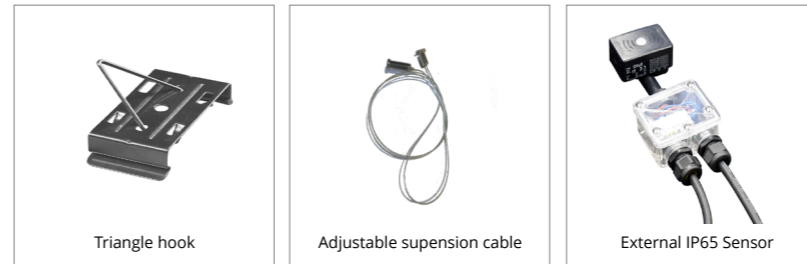


Side

Back

| ITEM CODE | DESCRIPTION | W | LM | LM/W | KELVIN | CRI | BEAM | LIFETIME L80B10 | EQUIVALENT | COLOUR |
|-----------|---|----|--------|------|--------|-----|------|-----------------|------------|--------|
| 4605050 | LED Waterproof Cyclone IP66 23W 1200 4000K Incl. 5x2.5mm TW | 23 | 3,000 | 130 | 4,000 | ≥80 | 120 | 76,000 | 2x36W | Grey |
| 4605043 | LED Waterproof Cyclone IP66 30W 1200 4000K Incl. 5x2.5mm TW | 30 | 4,000 | 133 | 4,000 | ≥80 | 120 | 76,000 | 2x36W | Grey |
| 4605036 | LED Waterproof Cyclone IP66 38W 1200 4000K Incl. 5x2.5mm TW | 38 | 5,000 | 132 | 4,000 | ≥80 | 120 | 76,000 | 2x58W | Grey |
| 4605029 | LED Waterproof Cyclone IP66 42W 1200 4000K Incl. 5x2.5mm TW | 42 | 6,000 | 143 | 4,000 | ≥80 | 120 | 76,000 | 2x58W | Grey |
| 4605012 | LED Waterproof Cyclone IP66 49W 1200 4000K Incl. 5x2.5mm TW | 49 | 7,000 | 143 | 4,000 | ≥80 | 120 | 76,000 | 2x58W | Grey |
| 4605005 | LED Waterproof Cyclone IP66 56W 1200 4000K Incl. 5x2.5mm TW | 56 | 8,000 | 143 | 4,000 | ≥80 | 120 | 76,000 | 2x80W | Grey |
| 4604992 | LED Waterproof Cyclone IP66 76W 1500 4000K Incl. 5x2.5mm TW | 76 | 10,000 | 132 | 4,000 | ≥80 | 120 | 76,000 | 2x80W | Grey |

ACCESSORIES

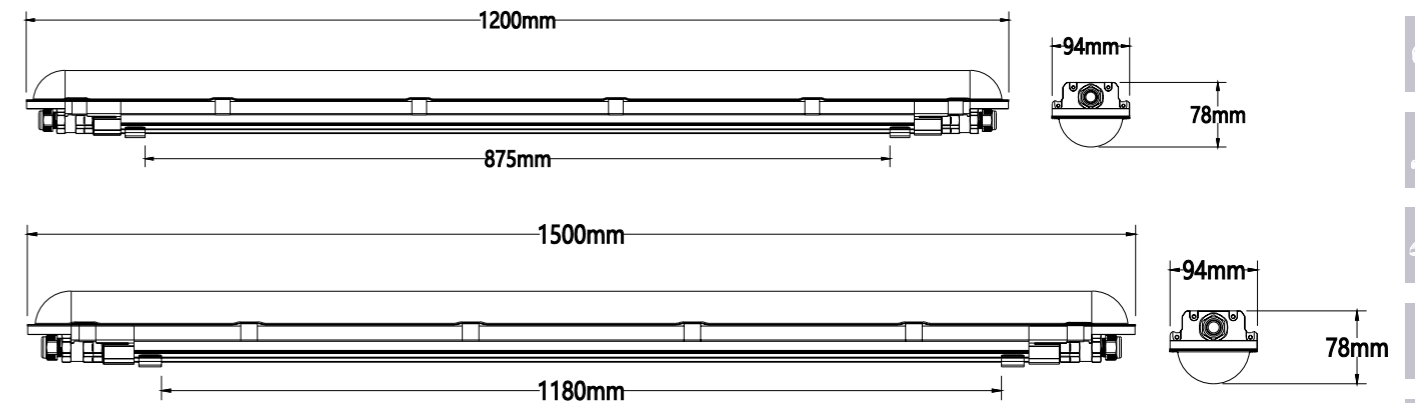


Triangle hook

Adjustable suspension cable

External IP65 Sensor

DIMENSIONS



LED WATERPROOF TYPHOON



KEY FEATURES

- High-end Professional Waterproof fixture
- IP69K ISO 20653: 2013 Dust and water proof
- PMMA versions IK06 with pressure equalization unit
- Premium Osram and Tridonic LED Driver
- Easy installation INOX 316 mounting brackets
- 3x2.5mm2 fast connectors at 2 ends for a fast tool-free (toolless) installation
- 140+ lumen per watt
- 100% Flicker-free

- 5 years Pragmalux warranty

IP69K-68 IK10/06 **650° GMT** **144 LM/W** **THROUGH-WIRING 5x2.5mm²**

SAMSUNG CHIPS

APPLICATIONS



CERTIFICATIONS & DOCUMENTATION

LVD, EMC, RoHS, ERP.

OPTIONS

3,000K **5,000K**



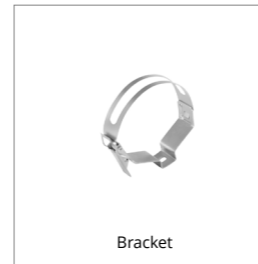
Suspended



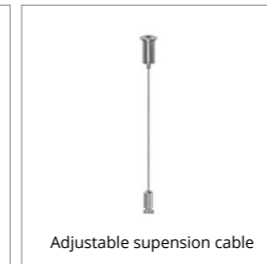
Connector

| ITEM CODE | DESCRIPTION | W | LM | LM/W | KELVIN | CRI | BEAM | LIFETIME L80B10 | EQUIVALENT | COLOUR |
|-----------|---|----|-------|------|--------|-----|------|-----------------|------------|--------|
| 4604978 | LED Waterproof Typhoon IP69K 20W 600 4000K Incl. 5x2.5mm TW PC | 20 | 2,500 | 125 | 4,000 | ≥80 | 120 | 76,000 | 2x18W | White |
| 4604985 | LED Waterproof Typhoon IP69K 20W 600 4000K Incl. 5x2.5mm TW PMMA | 20 | 2,700 | 135 | 4,000 | ≥80 | 120 | 76,000 | 2x18W | White |
| 4604954 | LED Waterproof Typhoon IP69K 28W 900 4000K Incl. 5x2.5mm TW PC | 28 | 3,500 | 125 | 4,000 | ≥80 | 120 | 76,000 | 1x58W | White |
| 4604961 | LED Waterproof Typhoon IP69K 28W 900 4000K Incl. 5x2.5mm TW PMMA | 28 | 3,800 | 136 | 4,000 | ≥80 | 120 | 76,000 | 1x58W | White |
| 4604930 | LED Waterproof Typhoon IP69K 40W 1200 4000K Incl. 5x2.5mm TW PC | 40 | 5,100 | 128 | 4,000 | ≥80 | 120 | 76,000 | 2x36W | White |
| 4604947 | LED Waterproof Typhoon IP69K 40W 1200 4000K Incl. 5x2.5mm TW PMMA | 40 | 5,400 | 135 | 4,000 | ≥80 | 120 | 76,000 | 2x36W | White |
| 4604916 | LED Waterproof Typhoon IP69K 50W 1500 4000K Incl. 5x2.5mm TW PC | 50 | 6,700 | 134 | 4,000 | ≥80 | 120 | 76,000 | 2x58W | White |
| 4604923 | LED Waterproof Typhoon IP69K 50W 1500 4000K Incl. 5x2.5mm TW PMMA | 50 | 7,200 | 144 | 4,000 | ≥80 | 120 | 76,000 | 2x58W | White |

ACCESSORIES



Bracket

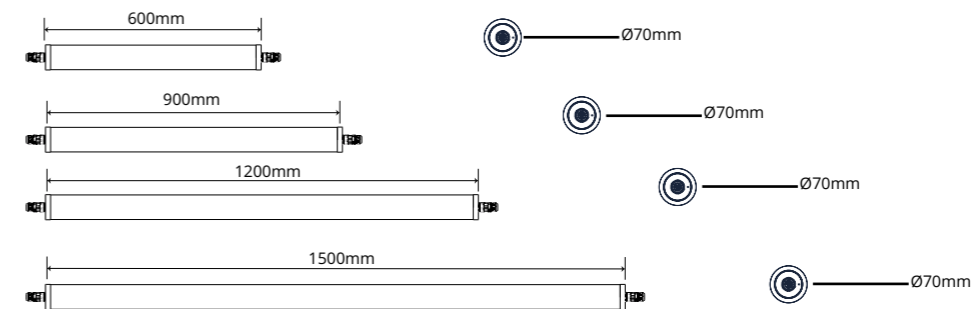


Adjustable suspension cable



External IP65 Sensor

DIMENSIONS



WARRANTY

LED WATERPROOF ZEUS

KEY FEATURES

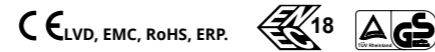
- Professional IP66 Waterproof fixture with robust design
- Premium Philips LED Driver
- Through wiring 5x2.5mm² included
- Included stainless steel clips
- 4000K - Natural
- Payback time 1 to 3 years
- 130 lumen per watt
- 5-year Pragmalux Warranty



APPLICATIONS



CERTIFICATIONS & DOCUMENTATION



OPTIONS



Through-wiring 5x2.5mm²



Philips Driver Inside

| ITEM CODE | DESCRIPTION | W | LM | LM/W | KELVIN | CRI | BEAM | LIFETIME L80B10 | EQUIVALENT | COLOUR |
|-----------|--|----|-------|------|--------|-----|------|-----------------|------------|--------|
| 4600666 | LED Waterproof Zeus IP66 20W 600 4000K | 20 | 2,600 | 130 | 4,000 | ≥80 | 120 | 76,000 | 2x18W | Grey |
| 4600727 | LED Waterproof Zeus IP66 20W 600 4000K Incl. 5x2.5mm TW | 20 | 2,600 | 130 | 4,000 | ≥80 | 120 | 76,000 | 2x18W | Grey |
| 4600659 | LED Waterproof Zeus IP66 20W 1200 4000K | 20 | 2,600 | 130 | 4,000 | ≥80 | 120 | 76,000 | 2x18W | Grey |
| 4600710 | LED Waterproof Zeus IP66 20W 1200 4000K Incl. 5x2.5mm TW | 20 | 2,600 | 130 | 4,000 | ≥80 | 120 | 76,000 | 2x18W | Grey |
| 4600642 | LED Waterproof Zeus IP66 36W 1200 4000K | 36 | 4,680 | 130 | 4,000 | ≥80 | 120 | 76,000 | 2x36W | Grey |
| 4600703 | LED Waterproof Zeus IP66 36W 1200 4000K Incl. 5x2.5mm TW | 36 | 4,680 | 130 | 4,000 | ≥80 | 120 | 76,000 | 2x36W | Grey |
| 4600635 | LED Waterproof Zeus IP66 36W 1500 4000K | 36 | 4,680 | 130 | 4,000 | ≥80 | 120 | 76,000 | 2x36W | Grey |
| 4600697 | LED Waterproof Zeus IP66 36W 1500 4000K Incl. 5x2.5mm TW | 36 | 4,680 | 130 | 4,000 | ≥80 | 120 | 76,000 | 2x36W | Grey |
| 4600628 | LED Waterproof Zeus IP66 54W 1500 4000K | 54 | 7,020 | 130 | 4,000 | ≥80 | 120 | 76,000 | 2x58W | Grey |
| 4600680 | LED Waterproof Zeus IP66 54W 1500 4000K Incl. 5x2.5mm TW | 54 | 6,900 | 130 | 4,000 | ≥80 | 120 | 76,000 | 2x58W | Grey |
| 4600611 | LED Waterproof Zeus IP66 65W 1500 4000K | 65 | 8,450 | 130 | 4,000 | ≥80 | 120 | 76,000 | 2x80W | Grey |
| 4600673 | LED Waterproof Zeus IP66 65W 1500 4000K Incl. 5x2.5mm TW | 65 | 8,400 | 130 | 4,000 | ≥80 | 120 | 76,000 | 2x80W | Grey |

ACCESSORIES

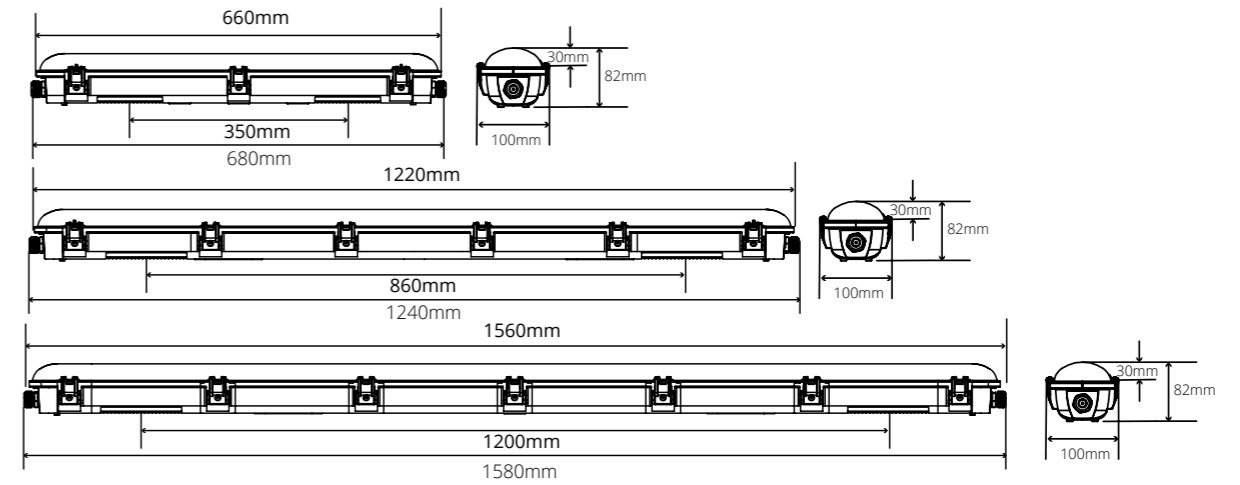


Triangle hook



IP68 Fast Connector

DIMENSIONS



LED Highbay Storm



KEY FEATURES

- Special 90° spiral lens optic for homogeneous light distribution
- IP65 waterproof, suitable for dusty and humid environments
- Long life of 76,000 hours
- Integrated premium LED Driver
- Plug & Play installation 3-pole IP68 screwless connector
- Up to 140 lumens per watt
- Standard 1-10V Dimmable, available on request DALI versions.

IP65 IK08 650° GWT 140 LM/W PHILIPS CHIPS

APPLICATIONS



CERTIFICATIONS & DOCUMENTATION

CE LVD, EMC, RoHS, ERP.

OPTIONS



Side

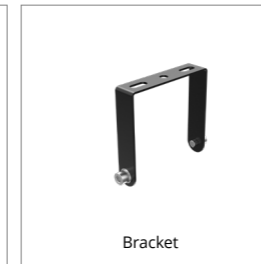
Back

| ITEM CODE | DESCRIPTION | W | LM | LM/W | KELVIN | CRI | BEAM | LIFETIME L80B10 | EQUIVALENT | COLOUR |
|-----------|--|-----|--------|------|--------|-----|------|-----------------|------------|--------|
| 4605067 | LED Highbay Storm 100W 4000K 1-10V DIM 90° Black | 100 | 14,000 | 140 | 4,000 | ≥80 | 90 | 76,000 | 200W | Black |
| 4605074 | LED Highbay Storm 120W 4000K 1-10V DIM 90° Black | 120 | 16,800 | 140 | 4,000 | ≥80 | 90 | 76,000 | 250W | Black |
| 4605081 | LED Highbay Storm 150W 4000K 1-10V DIM 90° Black | 150 | 21,000 | 140 | 4,000 | ≥80 | 90 | 76,000 | 250W | Black |
| 4605098 | LED Highbay Storm 200W 4000K 1-10V DIM 90° Black | 200 | 28,000 | 140 | 4,000 | ≥80 | 90 | 76,000 | 400W | Black |

ACCESSORIES

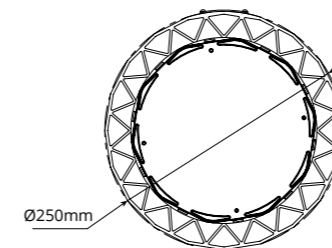
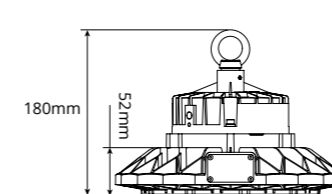


Reflector

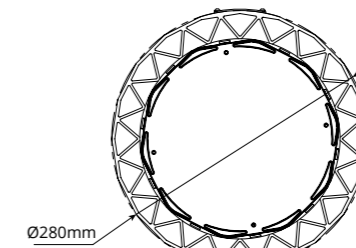
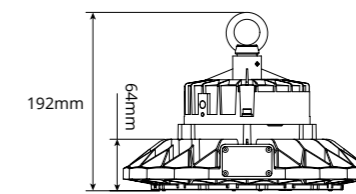


Bracket

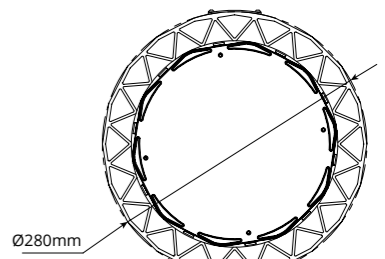
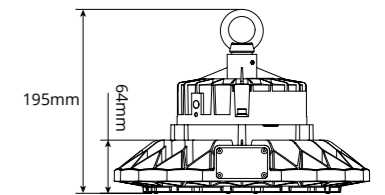
DIMENSIONS



100-120W



150W



200W

LED Highbay Horizon



KEY FEATURES

- Luminaires are suitable for 3 to 14 meters high
- Special 90 ° lens optic made of polycarbonate for homogeneous light distribution
- Long service life of L80B10 100,000 hours
- Includes premium Philips Xitanium dimmable Highbay LED Driver
- Plug & Play installation 3-pole IP68 screwless connector
- Up to 145 lumens per watt
- IP65 waterproof, suitable for dusty and humid environments

IP65 IK10 **650° GMT** **145 LM/W** **PHILIPS DRIVER CHIPS**

APPLICATIONS



CERTIFICATIONS & DOCUMENTATION

CE LVD, EMC, RoHS, ERP.

OPTIONS

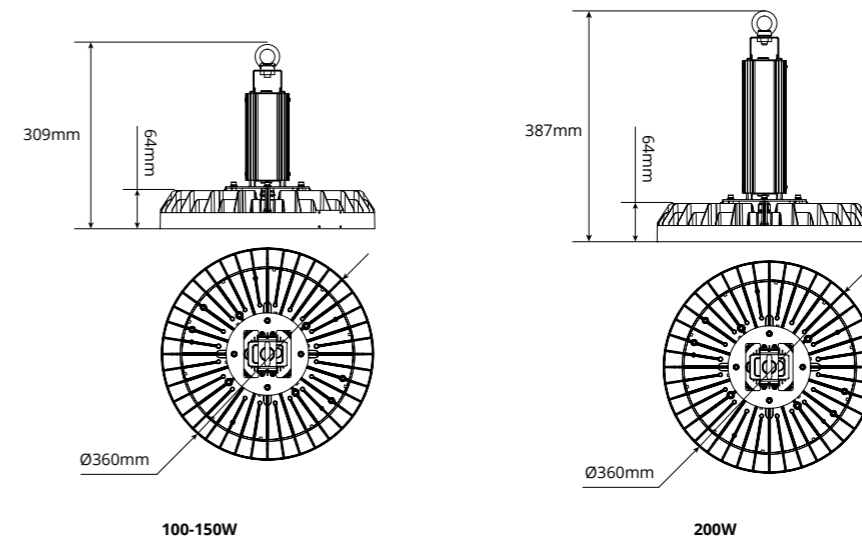


| ITEM CODE | DESCRIPTION | W | LM | LM/W | KELVIN | CRI | BEAM | LIFETIME L80B10 | EQUIVALENT | COLOUR |
|-----------|--|-----|--------|------|--------|-----|------|-----------------|------------|--------|
| 4605128 | LED Highbay Horizon 100W 4000K 1-10V DIM 90° Black | 100 | 14,000 | 140 | 4,000 | ≥80 | 90 | 100,000 | 250W | Black |
| 4605135 | LED Highbay Horizon 150W 4000K 1-10V DIM 90° Black | 150 | 21,000 | 140 | 4,000 | ≥80 | 90 | 100,000 | 250W | Black |
| 4605142 | LED Highbay Horizon 200W 4000K 1-10V DIM 90° Black | 200 | 28,000 | 140 | 4,000 | ≥80 | 90 | 100,000 | 400W | Black |

ACCESSORIES



DIMENSIONS



LED HIGHBAY ULTRA



KEY FEATURES

- Long lifetime of L80B10 100,000 hours
- Luminaires are suitable for 3 to 14 meters high
- Long life of 76,000 hours
- Plug & Play installation 3-pole IP68 screwless connector
- Up to 180 lumens per watt
- Standard 1-10V Dimmable, available on request DALI versions.
- Special 90° lens optic made of polycarbonate for homogeneous light distribution
- 5 years Pragmalux warranty

IP65 IK10 **650° GWT** **180 LM/W** **PHILIPS CHIPS**

APPLICATIONS



CERTIFICATIONS & DOCUMENTATION

CE LVD, EMC, RoHS, ERP.

OPTIONS



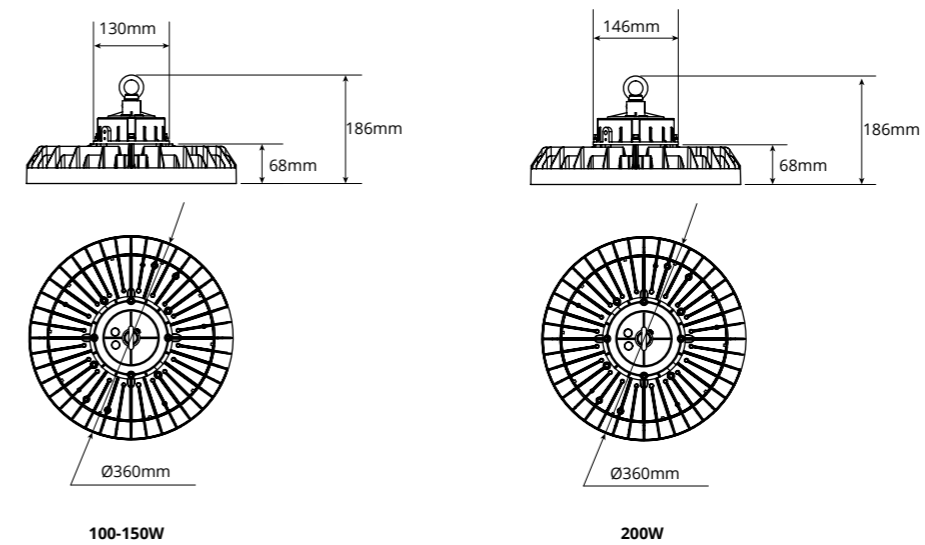
Chain

| ITEM CODE | DESCRIPTION | W | LM | LM/W | KELVIN | CRI | BEAM | LIFETIME L80B10 | EQUIVALENT | COLOUR |
|-----------|--|-----|--------|------|--------|-----|------|-----------------|------------|--------|
| 4605197 | LED Highbay Ultra 100W 4000K 1-10V DIM 90° Black | 100 | 18,000 | 180 | 4,000 | ≥80 | 90 | 76,000 | 200W | Black |
| 4605203 | LED Highbay Ultra 120W 4000K 1-10V DIM 90° Black | 120 | 21,600 | 180 | 4,000 | ≥80 | 90 | 76,000 | 250W | Black |
| 4605210 | LED Highbay Ultra 150W 4000K 1-10V DIM 90° Black | 150 | 27,000 | 180 | 4,000 | ≥80 | 90 | 76,000 | 250W | Black |
| 4605227 | LED Highbay Ultra 200W 4000K 1-10V DIM 90° Black | 200 | 36,000 | 180 | 4,000 | ≥80 | 90 | 76,000 | 400W | Black |

ACCESSORIES



DIMENSIONS



LED HIGHBAY REX



KEY FEATURES

- Professional linear solution
- Special lens optic made of polycarbonate for homogeneous light distribution
- Long service life of 76,000 hours
- Included premium LED Driver
- Plug & Play installation 3-pole IP68 screwless connector
- Up to 120 lumens per watt
- IP65 waterproof, suitable for dusty and humid environments
- Payback time 1 to 2 years
- 5 years Pragmalux warranty

IP65 IK10 **650°** GMT **120** LM/W **PHILIPS**
CHIPS

APPLICATIONS



CERTIFICATIONS & DOCUMENTATION

LVD, EMC, RoHS, ERP.

OPTIONS

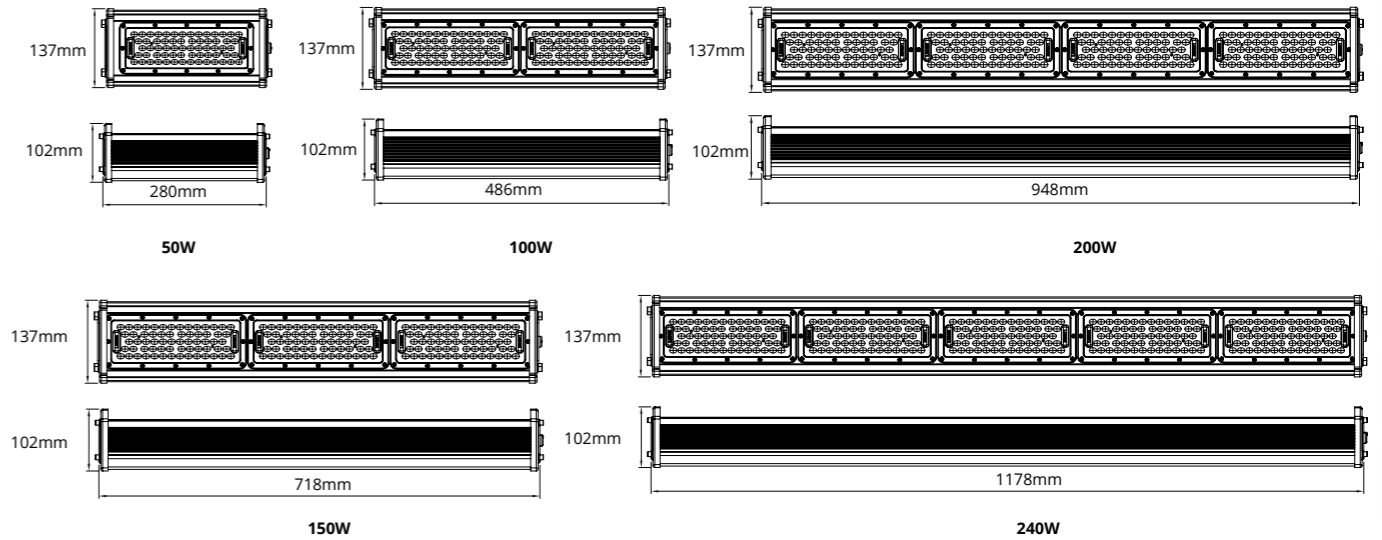


| ITEM CODE | DESCRIPTION | W | LM | LM/W | KELVIN | CRI | BEAM | LIFETIME L80B10 | EQUIVALENT | COLOUR |
|-----------|---|-----|--------|------|--------|-----|--------|-----------------|------------|--------|
| 4605289 | LED Highbay Rex 50W 4000K 1-10V DIM 40°x120° Black | 50 | 6,000 | 120 | 4,000 | ≥80 | 40x120 | 76,000 | 100W | Black |
| 4605296 | LED Highbay Rex 100W 4000K 1-10V DIM 40°x120° Black | 100 | 12,000 | 120 | 4,000 | ≥80 | 40x120 | 76,000 | 250W | Black |
| 4605302 | LED Highbay Rex 150W 4000K 1-10V DIM 50°x90° Black | 150 | 18,000 | 120 | 4,000 | ≥80 | 50x90 | 76,000 | 400W | Black |
| 4605319 | LED Highbay Rex 200W 4000K 1-10V DIM 30°x70° Black | 200 | 24,000 | 120 | 4,000 | ≥80 | 30x70 | 76,000 | 400W | Black |
| 4605326 | LED Highbay Rex 240W 4000K 1-10V DIM 30°x70° Black | 240 | 28,800 | 120 | 4,000 | ≥80 | 30x70 | 76,000 | 400W | Black |

ACCESSORIES



DIMENSIONS



LED Highbay Clean HACCP

KEY FEATURES


- LED High-bay in accordance with HACCP standards suitable for the food processing industry
- Glass-free and corrosion-resistant
- Special housing and coating against dust accumulation
- IP69K completely water and dust proof - resistant to high pressure cleaning and chemicals.
- Long service life of L80B10 100,000 hours
- Special 90 ° lens optic made of polycarbonate for homogeneous light distribution
- Suitable for use temperatures: -30 to + 50 ° C
- Payback time 1 to 2 years

IP69K/66 IK10  650[°] GW 120_{LM/W}  PHILIPS
CHIPS

APPLICATIONS



CERTIFICATIONS & DOCUMENTATION

 LVD, EMC, RoHS, ERP.

OPTIONS



Side

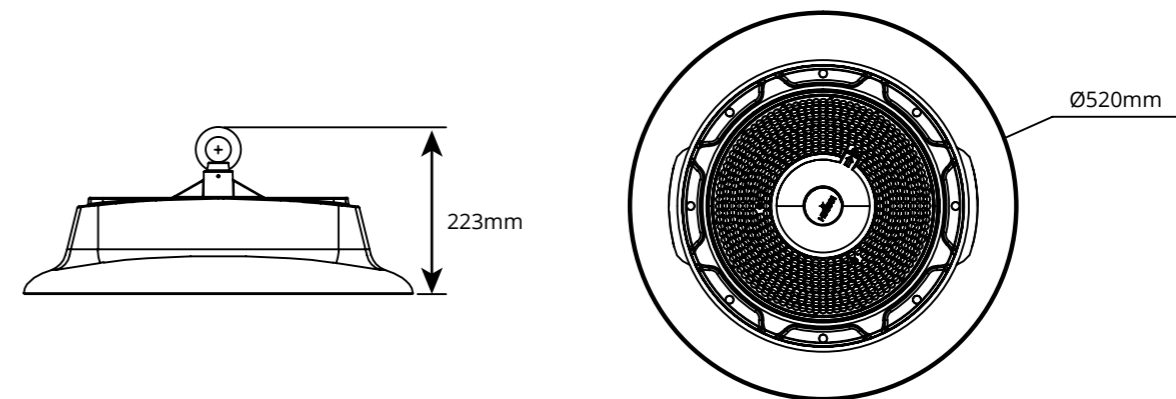
Back

| ITEM CODE | DESCRIPTION | W | LM | LM/W | KELVIN | CRI | BEAM | LIFETIME L80B10 | EQUIVALENT | COLOUR |
|-----------|--|-----|--------|------|--------|-----|------|-----------------|------------|--------|
| 4605234 | LED Highbay Clean HACCP 100W 4000K 90° 1-10V Dim White | 100 | 12,000 | 120 | 4,000 | ≥80 | 90 | 100,000 | 250W | White |
| 4605241 | LED Highbay Clean HACCP 120W 4000K 90° 1-10V Dim White | 120 | 14,400 | 120 | 4,000 | ≥80 | 90 | 100,000 | 250W | White |
| 4605258 | LED Highbay Clean HACCP 150W 4000K 90° 1-10V Dim White | 150 | 18,000 | 120 | 4,000 | ≥80 | 90 | 100,000 | 250W | White |
| 4605265 | LED Highbay Clean HACCP 200W 4000K 90° 1-10V Dim White | 200 | 24,000 | 120 | 4,000 | ≥80 | 90 | 100,000 | 400W | White |

ACCESSORIES



DIMENSIONS



LED FLOODLIGHT AUVA IP66

KEY FEATURES

- IP66 Waterproof fixture with robust design
- IK08 Vandal-proof / Impact-resistant Aluminum housing and glass cover
- Special asymmetrical lens optic for homogeneous light distribution and low glare
- Long service life of 76,000 hours
- Including 3-pole IP68 screwless connector for very fast installation
- Angle mounting (45 °) and tilting up to 180 °
- Suitable for use temperatures: -30 to + 50 ° C

IP66 IK08  **650° GWT** **135 LM/W** **PHILIPS**
CHIPS

APPLICATIONS



CERTIFICATIONS & DOCUMENTATION

CE LVD, EMC, RoHS, ERP. 

OPTIONS

DALI **3,000K** **5,000K**

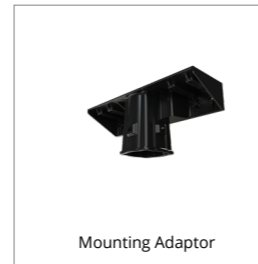


Tilttable

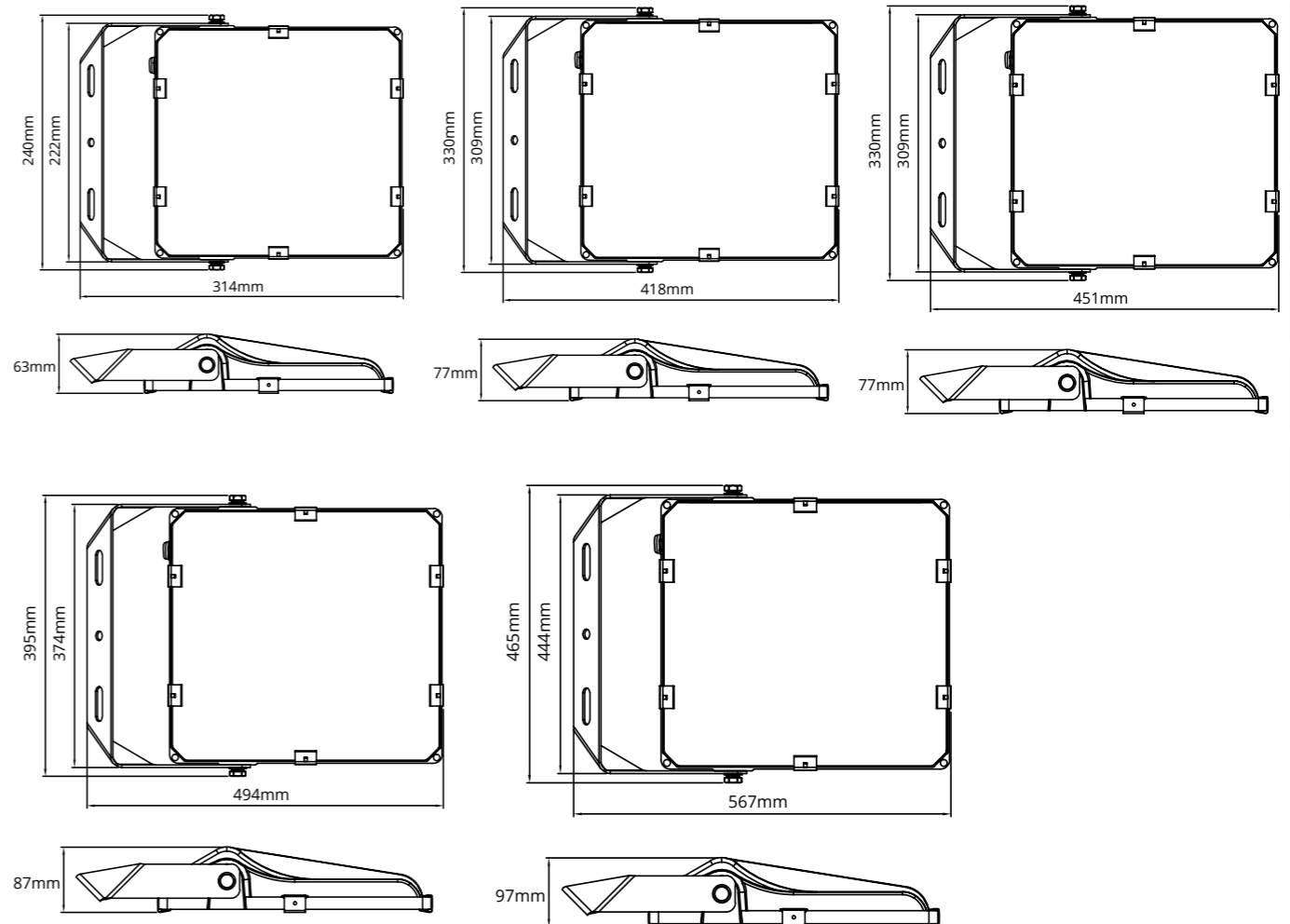
Heatsink

| ITEM CODE | DESCRIPTION | W | LM | LM/W | KELVIN | CRI | BEAM | LIFETIME L80B10 | EQUIVALENT | COLOUR |
|-----------|--|-----|--------|------|--------|-----|--------|-----------------|------------|--------|
| 4605388 | LED Floodlight Auva IP66 50W 4000K Asymmetrical | 50 | 6,600 | 132 | 4,000 | ≥80 | 65x120 | 76,000 | 100W | Black |
| 4605395 | LED Floodlight Auva IP66 100W 4000K Asymmetrical | 100 | 12,900 | 129 | 4,000 | ≥80 | 65x120 | 76,000 | 150W | Black |
| 4605401 | LED Floodlight Auva IP66 150W 4000K Asymmetrical | 150 | 19,900 | 133 | 4,000 | ≥80 | 65x120 | 76,000 | 250W | Black |
| 4605418 | LED Floodlight Auva IP66 200W 4000K Asymmetrical | 200 | 26,400 | 132 | 4,000 | ≥80 | 65x120 | 76,000 | 400W | Black |
| 4605425 | LED Floodlight Auva IP66 300W 4000K Asymmetrical | 300 | 40,000 | 133 | 4,000 | ≥80 | 65x120 | 76,000 | 800W | Black |

ACCESSORIES



DIMENSIONS



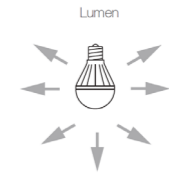
SYMBOLS

| | |
|----------------------------------|-------------------------|
| Protection class I | |
| Protection class II | |
| Protection class III | |
| Ingress Protection Rating | IP66 |
| Impact Protection Rating | IK08 |
| Light color temperature (Kelvin) | 3,000K |
| Unified Glare Rating Value | UGR<19 |
| Resistance glow wire test (°C) | 650^{GW} |
| DALI dimmable | |
| Zigbee dimmable | |
| Sensor | |
| Emergency module | |
| Through wiring | |
| GST Connector | GST18i3/5 |

GLOSSARY

Luminous flux

In photometry, luminous flux or luminous power is the measure of the perceived power of light. It differs from radiant flux, the measure of the total power of electromagnetic radiation (including infrared, ultraviolet, and visible light), in that luminous flux is adjusted to reflect the varying sensitivity of the human eye to different wavelengths of light.



Luminous intensity

In photometry, luminous intensity is a measure of the wavelength-weighted power emitted by a light source in a particular direction per unit solid angle, based on the luminosity function, a standardized model of the sensitivity of the human eye. The SI unit of luminous intensity is the candela (cd), an SI base unit.



Illuminance

In photometry, illuminance is the total luminous flux incident on a surface, per unit area. It is a measure of how much the incident light illuminates the surface, wavelength-weighted by the luminosity function to correlate with human brightness perception. Similarly, luminous emittance is the luminous flux per unit area emitted from a surface. Luminous emittance is also known as luminous exitance.



Luminance

Luminance is a photometric measure of the luminous intensity per unit area of light travelling in a given direction. It describes the amount of light that passes through, is emitted or reflected from a particular area, and falls within a given solid angle. The SI unit for luminance is candela per square metre (cd/m²). A non-SI term for the same unit is the "nit". The CGS unit of luminance is the stilb, which is equal to one candela per square centimetre or 10 kcd/m².



Glare (UGR)

Glare is difficulty seeing in the presence of bright light such as direct or reflected sunlight or artificial light such as car headlamps at night. Glare is caused by a significant ratio of luminance between the task (that which is being looked at) and the glare source. Factors such as the angle between the task and the glare source and eye adaptation have significant impacts on the experience of glare.

CRI

A color rendering index (CRI) is a quantitative measure of the ability of a light source to reveal the colors of various objects faithfully in comparison with an ideal or natural light source. Effect of an illuminant on the color appearance of objects by conscious or subconscious comparison with their color appearance under a reference illuminant.

Colour temperature

The color temperature of a light source is the temperature of an ideal black-body radiator that radiates light of comparable hue to that of the light source. Color temperature is a characteristic of visible light. Color temperature is conventionally stated in the unit of absolute temperature, the Kelvin, having the unit symbol K.

IP

The IP Code, International Protection Marking, IEC standard 60529, classifies and rates the degree of protection provided against intrusion (body parts such as hands and fingers), dust, accidental contact, and water by mechanical casings and electrical enclosures.

WARRANTY & GENERAL TERMS AND CONDITIONS

Warranty Policy for LED Luminaires

This document describes the standard warranty ('Warranty Policy') of the sales organization PDL Lighting Group B.V. with its brand name Pragmalux (hereinafter referred to as 'Pragmalux') regarding your (hereinafter referred to as the 'Buyer') purchase of Pragmalux LED luminaires within Europe excluding Ukraine, Russia and Turkey as from February 2019.

The agreement is subject to the conditions described below and subject to the attached conditions ('Conditions Standard Warranty'). Pragmalux is not obliged to notify any Buyer, or future Buyer, after a certain date about any possible amendments or the non-applicability of this standard warranty regarding the supplied products (hereinafter referred to as the 'Products'). The Warranty as described below is subject to the limits and other herein described conditions and is subject to the conditions as attached to this document ('Conditions Standard Warranty'). This warranty only applies to a sales agreement between Pragmalux and the Buyer in case it is referred to.

1. Warranty period

In compliance with the provisions of Conditions Standard Warranty the Buyer has the right to guarantee during the applicable period. Each LED luminaire with an integrated or external LED light source comes with a warranty of 3 years, 5 years, years or 10 years as indicated on the product sheet.

2. Special conditions

The warranty period comes into effect on Pragmalux's date of invoice.

- The warranty period is based on a maximum usage of 4000 hrs/year. In the case of more than 4000 hrs/year, the warranty period will be adjusted proportionally.
- The warranty period is based on years of burning hours or amount of hours in function, depending on which occurs first.
- The warranty only concerns products that are applied according to their 'intended use' or 'normal use', which means:

- For luminaires, installed according to the installation manual, included in the packaging and available online on Pragmalux's website, AND
- The conditions of use are consistent with the information on the Products and the packaging, AND
- The ambient temperature never exceeds the operating temperature range as given on the product sheet, for example -25°C to +35°C, AND
- The relative humidity never exceeds 80% RH, or never exceeds the IP code of the Product, if applicable, AND
- Products are not subject to more than 50,000 switching cycles (a switching cycle being defined

as 30 seconds 'on' and 30 seconds 'off'), AND

- The electrical installation in which the Product is used is not exposed to voltage fluctuations of more than +/- 10% of 220V.

- Malfunctions as a consequence of basic causes, including but not limited to improper wiring or installation or operation beyond the specified usage limits, are not covered by this Warranty, and this Warranty is void for and does not apply to this type of malfunctions as a consequence of basic causes.
- inappropriate use and choice of a dimmer which is not mentioned on the list of compatible dimmers voids this Warranty. If list is not available, Pragmalux shall be contacted first. Dimmable Products must be used in combination with a dimmer that is mentioned on the list of compatible products as provided to Buyer by Pragmalux.
- The Products have been purchased directly from a Pragmalux (sales) organization.
- Proof of Product purchase is available for inspection by Pragmalux.
- An adequate administration of the operation history is kept, which is available for inspection by Pragmalux.
- The Buyer may not rely on any other information or documentation.

General Terms and Conditions

Article 1: Definitions

1. In these General Terms and Conditions 'Pragmalux' is to be understood as:
 - The private limited liability company under Dutch law PDL Lighting Group B.V. with its brand name Pragmalux;
 - Having its registered office and business office in (5651 GK) Eindhoven at Mispelhoefstraat 31A, The Netherlands;
 - Telephone number: +31 (0)85 130 76 48;
 - Email address: info@pragmalux.com;
 - Registered at the Dutch Chamber of Commerce with the C.o.C. number 73864749;
 - VAT number: NL859691573B01.

2. In these General Terms and Conditions the 'Other Party' is to be understood as: buyers (being wholesalers, traders, architects, lighting consultants) and/or a natural person or enterprise with whom PDL Lighting Group B.V. and its partners do business, including representatives, agents, and therefore explicitly excluding consumers, of goods in the broadest sense, or the contracting party of Pragmalux
3. Product(s): all products and services of Pragmalux

Article 2: Applicability

1. These general terms and conditions are applicable to all offers made by Pragmalux to the Other Party, to all agreements entered into by Pragmalux as well as to all possible resulting legal acts and obligations.

2. The applicability of other general terms and conditions is herewith explicitly precluded in all cases, even if reference is made to such terms and conditions in a request addressed to Pragmalux to submit a quotation, in a confirmation of the offer sent to Pragmalux or otherwise.
3. If any provision of these general terms and conditions is null and void or is annulled, the other provisions of these general terms and conditions shall remain in full force and Pragmalux shall consult the Other Party in order to agree new provisions as replacement of the provisions that are null and void or annulled, which shall as much as possible approximate the purpose and intention of the provisions that are null and void or annulled.
4. These general terms and conditions are available in the Dutch and English language. In case of any dispute regarding the interpretation or language, the Dutch version shall prevail.

Article 3: Offers

1. All offers made by Pragmalux are valid for fourteen (30) days and are non-binding, unless stated otherwise in writing.
2. Acceptance of an offer shall be effected through written acceptance by the Other Party, for instance by registering and ordering through the user/login part of the web site of Pragmalux, in writing, or by e-mail.
3. Pragmalux reserves the right to refuse orders or to withdraw offers without stating the grounds.
4. All agreements shall be concluded by Pragmalux on the condition precedent that the Other Party shall prove sufficiently creditworthy for the financial fulfilment of the agreement- this at the exclusive discretion of Pragmalux.
5. Pragmalux may investigate whether or not the Other Party can meet its payment obligations as well as investigate all facts and factors that are important for a responsible conclusion of an agreement. If based on this investigation Pragmalux has grounds for not signing the agreement (just like that), it shall be entitled to refuse an order or application, or to attach special conditions to the execution.

Article 4: Prices

1. The submitted prices are in EURO, or in another currency if specified in writing by Pragmalux. The Other Party shall bear the currency risk, if any, unless agreed otherwise in writing.
2. Prices are exclusive of the applicable VAT rate and shall be payable inclusive of VAT, unless stated otherwise.
3. Prices may be checked by logging into the website of Pragmalux, or can be inquired by sending an email to info@pragmalux.com.
4. For orders up to and including a total amount of €1000 exclusive of VAT the prices stated by or on behalf of Pragmalux are at all times exclusive of shipping and/or transportation costs, unless explicitly stated

otherwise in writing.

5. For orders beyond a total amount of €1000 exclusive of VAT no shipping and/or transportation costs shall be charged by Pragmalux.
6. All prices in price lists and on quotations are exclusive of the following costs or amounts payable by the Other Party: taxes, levies, handling fees or duties, or other comparable charges, to Pragmalux or to the Other Party imposed by a(n) (tax) authority (other than result taxation imposed on Pragmalux) corresponding to the order of the Other Party.
7. The prices and product configurations shall not be increased or adjusted by Pragmalux after signing the agreement, unless legal measures so prescribe or if interim price increases or changes to the product configurations are made by the parties that Pragmalux is dependent on, in which case the Other Party shall be authorized to dissolve the agreement by a written statement towards Pragmalux.

Article 5: Display and specification of goods

1. The display of goods as well as any corresponding specifications, dimensions and data in the website of Pragmalux are only valid in approximation. The ultimately delivered product to the Other Party may to a certain extent deviate in color, dimension et cetera from such images or specifications. This does not mean that the product is not in conformity with the agreement.
2. The Other Parties shall provide Pragmalux with all relevant information for the purpose of a correct execution of the agreement. Pragmalux shall rely on the completeness and correctness of the information provided.

Article 6: Invoicing and payment

1. Unless agreed otherwise, payment of all invoices shall be due and payable fourteen (8) days after the invoice date without any set-off, postponement or deduction by the Other Party.
2. Regardless of the agreed payment conditions, the Other Party undertakes, upon first request of Pragmalux, to provide security for its payments as deemed sufficient by Pragmalux. Failure of the Other Party to provide such security within the prescribed period shall immediately put the Other Party into default, in which case Pragmalux shall be entitled to dissolve the agreement and to recover its damage from the Other Party.
3. Expiry of the payment deadline shall immediately put the Other Party into default, without requiring any further notice of default, in which case a late-payment interest shall be charged to the Other Party on the payable amount amounting to 2% per month, or the statutory commercial interest, whichever is higher. For the calculation of interest, part of a month shall qualify as a full month.
4. If payment is not effected within the agreed term of payment, the Other Party shall bear all extrajudicial collection charges for the claim of Pragmalux, which are estimated at 20% of the unpaid invoice. Should the actually incurred extrajudicial costs be higher than resul-

WARRANTY & GENERAL TERMS AND CONDITIONS

ting from the above, the actually incurred costs shall be payable.

Article 7: Delivery

1. Pragmalux shall observe the greatest possible due care in the execution of orders. The specified delivery deadlines shall therefore apply in approximation and shall never qualify as final dates.
2. Place of delivery is the address specified by the Other Party to Pragmalux. Unless agreed otherwise in writing, Pragmalux shall only deliver to physical addresses within Europe. Delivery orders to an address outside Europe shall not be carried out.
3. Pragmalux is entitled to deliver in parts (partial deliveries) which it may invoice individually. The Other Party shall receive products during regular office hours. If this is not possible, the resulting costs (including storage costs, shipping/transport costs, or any other costs connected to the agreement) will be charged according to applicable local prices or possible standard fares, determined by Pragmalux.
4. Pragmalux shall carry out accepted orders promptly after signing the agreement. The intended delivery deadline shall at all times be separately stated in the order. If delivery is delayed by more than the period stated in the order, the Other Party shall be notified as soon as possible after Pragmalux has been informed.
5. The risk of loss or damage of products shall pass to Other Party upon delivery from the warehouse, even if Pragmalux has not yet transferred the ownership thereof. Furthermore, Pragmalux shall not be liable to a client or other party for loss or damage, including direct or indirect consequential damage or any other damage caused by delays in the delivery, irrespective of whether the aforementioned is consequential to negligence by Pragmalux or any other party, actions concerning fundamental shortcomings in the fulfilment of an agreement, strikes, or any other cause.
6. The risk of the goods shall be borne by Pragmalux until they leave the warehouses of Pragmalux. As of the moment of transport the risk shall pass to the Other Party, unless explicitly agreed otherwise in writing.
7. The ownership of a product or service shall pass to the client after the full purchase price has been received by Pragmalux under the condition that client is not otherwise in default with regard to the purchase agreement and these conditions.

Article 8: Liability

1. Pragmalux emphasizes that an extensive quality control of its deliverable goods shall be carried out with the greatest care. Pragmalux shall be liable towards the Other Party for direct damage suffered by the Other Party only in case of gross negligence or willful intent on the part of Pragmalux.
2. Without prejudice to the aforementioned provisions, the liability of Pragmalux shall at all times be limited to the amount paid out in that case under the liability insurance taken out by Pragmalux, increased by the de-

ductible.

3. If for whatever reason no payment is made by the aforementioned insurance, the liability of Pragmalux shall at all times be limited to the amount of the invoices (exclusive of VAT) sent at that time by Pragmalux to the Other Party, in connection with the agreement concluded with the Other Party.
4. The following does not qualify for compensation by Pragmalux:
 - a. consequential damage, including but not limited to damage caused by business stagnation and loss of profit;
 - b. damage caused by gross negligence or willful intent on the part of the Other Party (or persons engaged by the Other Party or staff).
5. The Other Party shall indemnify Pragmalux against all and any claims by third parties including but not limited to claims caused by a defect in a product (which for instance was delivered by the Other Party to a third party and which consisted (in part) of goods and/or materials delivered by Pragmalux).
6. The Other Party shall indemnify Pragmalux, its current and future directors, managers, shareholders and staff against all and any claims, lawsuits, damage, liability, costs and expenses, including but not limited to reasonable legal fees, arising from the specific use by the Other Party of a product, including but not limited to product liability claims or legal disputes, unless such a legal dispute is exclusively related to the product itself and does not refer to the use of or combination with other goods, unauthorized maintenance, repair or alteration of a product by or on behalf of the Other Party or its contracting parties, or goods falling beyond the regular business activities of Pragmalux which had been explicitly applied for and/or designed by the Other Party.

Article 9: Warranty and complaints

1. Pragmalux warrants that its delivered goods meet the statutory requirements of practicability, reliability and lifespan as these were reasonably intended by the parties to the agreement and result from normal use, as set forth in the warranty document in the website of Pragmalux, which is applicable to the product concerned. The aforementioned warranty document states the specific warranty terms and conditions for the product concerned.
2. The Other Party is held to inspect or assign an inspection of the delivered goods immediately upon arrival, though within a maximum of three (3) days from arrival. If the Other Party fails to notify thereof in time, Pragmalux is not obliged to compensate any additional charges, unless the Other Party bears all charges thereof.
3. All rights alleged by the Other Party caused by Pragmalux's failure to meet its obligations (including warranty) shall be notified to Pragmalux in writing, at the latest eight (8) days after the Other Party has established - or reasonably could have established - the defect, for lack

of which the corresponding rights of the Other Party shall lapse. For the purpose hereof a contact form has been made available in the website of Pragmalux.

4. Complaints regarding invoices shall be submitted to Pragmalux in writing and with motivation within eight (8) days after the invoice date, for lack of which the corresponding rights of the Other Party shall lapse. For the purpose hereof a contact form has been made available in the web site of Pragmalux.
5. The aforementioned complaints shall not suspend the payment obligations of the Other Party.
6. If it has been established that the delivered goods are not in conformity with the agreement, Pragmalux shall replace the delivered goods free of charge, or reach written agreement with the Other Party regarding damage compensation.
7. The Other Party cannot rely on the warranty referred to in paragraph 1 of this article if the delivered goods have been exposed to abnormal conditions, if the Other Party has not taken care of the delivered goods as a debtor who ensures the preservation thereof with due care, or if such goods have been treated in breach of the directions of Pragmalux and/or the directions for use, or if the Other Party has repaired and/or processed the delivered goods itself or has outsourced such repair and/or processing to third parties.

Article 10: Returning and cancellation

1. The Other Party has the right to cancel the order within 24 hours after Pragmalux has accepted the order.
2. If the Other Party wishes to return spare parts, it shall contact Pragmalux beforehand by using the contact form or returns module, which can be applied or downloaded from the website of Pragmalux.
3. Returned goods shall only be handled if reported to Pragmalux within five (5) days after receipt of the goods.
4. Goods especially ordered by Pragmalux for the Other Party or damaged and/or used by the Other Party cannot be returned and/or cancelled.
5. In case of cancellation or return, the packaging of the goods must be original, undamaged, clean, unmarked, and unopened.
6. If no warranty applies, or in case of wrong delivery, Pragmalux shall charge 20% of the net amount of the returned goods to the Other Party.
7. Incurred transportation costs cannot be credited, except for goods falling under the warranty referred to in article 9.
8. In order to ensure that goods that need to be exchanged or that fall under the warranty shall be returned to the warehouse of Pragmalux well in time, such goods shall only be credited if returned by the Other Party before the deadline stated in article 10.3.
9. Return applications for goods that do not meet the aforementioned terms shall not be handled.

Article 11: Force majeure

1. Force majeure is to be understood as: any unforeseeable circumstance or circumstance beyond the

control of the parties, which makes fulfilment of the agreement by the other party unfair to ask.

2. The Other Party is not entitled to claim fulfilment and/or to (replacing or additional) damage compensation by Pragmalux in case of long-term force majeure on the part of Pragmalux.
3. If in the opinion of Pragmalux the force majeure is of a temporary nature, Pragmalux shall be entitled to suspend the execution of the agreement until the circumstances causing the force majeure no longer occur.
4. If in the opinion of Pragmalux the force majeure situation is of a permanent nature, or if the execution of the agreement has been suspended for more than three months, or if it is certain that the force majeure situation shall last for at least three months, either party may claim, by registered post, that the agreement be either adjusted to the circumstances or dissolved with immediate effect (if applicable: for the part concerned), without requiring the parties to pay any damages to each other.
5. Pragmalux is at all times entitled to claim payment for the performances delivered for the execution of the agreement concerned before the force majeure situation occurred.
6. The party who believes to be in force majeure shall notify the other party thereof immediately.

Article 12: Suspension and set-off

1. Pragmalux is authorized to suspend its performance if the Other Party fails to fulfil its obligations towards Pragmalux or if Pragmalux has valid grounds to fear that the Other Party shall not fulfil its obligations.
2. The Other Party is not entitled to postpone or suspend its work, deliveries, performances and other obligations towards Pragmalux or to discontinue or limit these otherwise.
3. Neither shall the Other Party be authorized to set off any claim on Pragmalux against any claim(s) of Pragmalux on the Other Party at that moment.

Article 13: Retention of title

1. After delivery, Pragmalux shall remain the owner of the delivered goods until the Other Party:
 - a. has fulfilled all its obligations under the concluded agreements;
 - b. has settled all claims arising from non-fulfilment of the aforementioned agreements, such as damage, penalties, interest and expenses.
2. As long as the retention of title rests with delivered goods, the Other Party cannot sell or encumber such goods.
3. Pragmalux is entitled to recall the delivered goods after it has laid claim on its retention of title. The Other Party shall give Pragmalux access to the location where such goods are located.

Article 14: Dissolution

1. If the Other Party:
 - is declared bankrupt, proceeds to assignment of an

WARRANTY & GENERAL TERMS AND CONDITIONS

estate, files for administrative receivership, or if an attachment is made on the property of the Other Party in whole or in part; or

- fails to fulfil the contractual obligations or the obligations by virtue of the law, or fails to fulfil these properly; or

- has not paid an invoice amount in whole or in part within the prescribed term of payment or fails to meet the request of Pragmalux to prepayment or security for the payment; Pragmalux shall be entitled, by the mere occurrence of one of the circumstances stated in this article, to dissolve the agreement in whole or in part by a written statement, without requiring any judicial intervention or notice of default, and shall also be entitled to fully claim any amount payable by the Other Party by virtue of the agreement concluded with Pragmalux immediately and without requiring any final notice or notice of default, without prejudice to the right of Pragmalux to compensation of all direct and indirect damage, including but not limited to loss of profit, and without prejudice to all other statutory rights falling to Pragmalux.

Article 15: Intellectual property

1. The intellectual property rights of Pragmalux concerning the goods and all other materials developed and/or used for or resulting from the preparation or execution of the agreement between Pragmalux and the Other Party shall exclusively fall to Pragmalux. The delivery of goods shall not lead to any transfer of the intellectual property rights.

2. Pragmalux shall remain the owner of intellectual property rights, including copyrights on documentation, drawings, diagrams, lighting calculations, lighting plans, designs, or other documents associated with a quotation, order, or agreement. The information may not be fully or partly made public, imitated, copied, offered, or shown to third parties without prior written permission.

3. The Other Party shall not multiply the goods howsoever without the prior written consent of Pragmalux.

4. The Other Party shall not remove or change any signs of Pragmalux regarding copyrights, trademarks, trade names or other rights of intellectual property.

5. The Other Party is liable for the damage suffered by Pragmalux today or in the future caused by a breach of its intellectual property rights.

Article 16: Miscellaneous provisions

1. By concluding the agreement, the Other Party grants Pragmalux permission for automatic processing of personal data to be collected by Pragmalux.

2. Pragmalux is at all times entitled to transfer the rights and obligations from the agreement or a part thereof to a third party.

3. All changes in the agreement are subject to written agreement between the parties.

Article 17: Applicable law and choice of jurisdiction

1. All offers and agreements of Pragmalux and resulting

disputes shall be exclusively governed by the applicable Dutch law.

2. The Vienna Sales Convention (Convention on the International Sale of Goods) is not applicable, nor are any other international regulations that can be excluded.

3. All and any disputes arising from or in connection with an offer or agreement of Pragmalux shall be brought exclusively before the District Court of Oost-Brabant, location 's-Hertogenbosch in the Netherlands.

Article 18: Modifications of the General Terms and Conditions

1. Pragmalux reserves the right to modify, alter or otherwise update these General Terms and Conditions from time to time as it deems fit which modifications, alterations or updates shall automatically be binding on the other party. Pragmalux further reserves the right to conduct such practice without any prior notification or announcement.

2. Pragmalux shall announce such modification or alterations on their website or any other way of communication it deems fit. It is strongly advised to examine the General Terms and Conditions on a regular basis. Modifications or alterations shall automatically be binding on current agreements.

PRAGMALUX[®]

PROFESSIONAL LIGHTING

PRAGMALUX[®]

PROFESSIONAL LIGHTING

Pragmalux[®]
Mispelhoefstraat 31
5651 KG Eindhoven
The Netherlands
+ 31 (0)85 130 89 79

info@pragmalux.com
www.pragmalux.com

Chamber of Commerce: 73864749
VAT: NL859691573B01

Bank details:
Rabobank in Eindhoven, Netherlands
IBAN: NL43RABO 0340 4367 86
SWIFT / BIC: RABONL2U

Part of PDL Lighting Group B.V

All rights reserved. Pragmalux retains the right to modify product specifications without any prior notice or obligation and does not assume any liability for any consequences of using this document. Subject to errors and printing errors .

WWW.PRAGMALUX.COM