

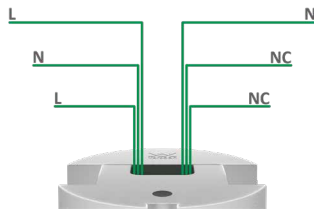
# Sensus PIR sensor IP65 inbouw Casambi



## Features

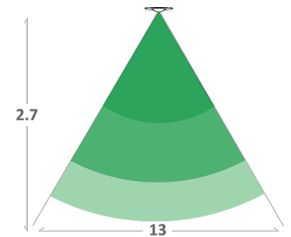
### Control

Cost effective and precise, the IP65 PIR delivers Casambi wireless technology in our most economic PIR sensor yet. Perfect for retrofitting into existing buildings where the luminaire control output is external, via other Casambi devices like the Integral range.



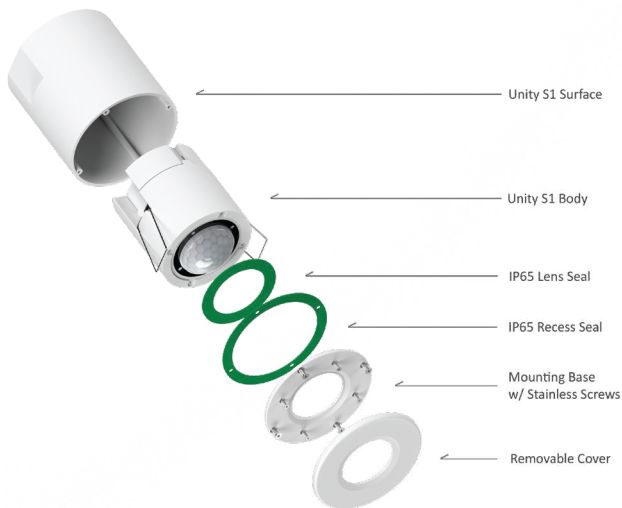
### Range

Designed to perform, the IP65 PIR sensor's PIR sensor offers a substantial 13 metre detection range at a mounting height of 2.7 metres. This ensures reliable occupancy detection across expansive areas, from small rooms to large open spaces.



### Versatility

Equipped for any setting, the IP65 PIR sensor boasts an IP65 rating, making it a champion against dust and water. Its versatility ensures top performance indoors and outdoors, adapting effortlessly to varying environmental conditions.



### Surface

Install it your way, IP65 PIR sensor's surface mounting accessory allows for flexible installation with 20mm exclusion areas for conduit through wiring. It maintains IP65 protection, combining durability with ease of integration.



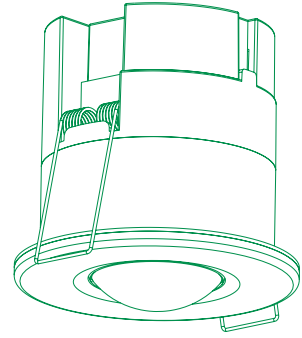
### Cover

Maintenance made simple, the IP65 PIR sensor's cover clips easily onto the sensor and is paintable, facilitating smooth integration with your architectural designs. Quick access for maintenance combined with aesthetic adaptability enhances both functionality and style.



# PRAGMALUX<sup>®</sup>

PROFESSIONAL LIGHTING



## Sensus PIR sensor IP65

### Specifications

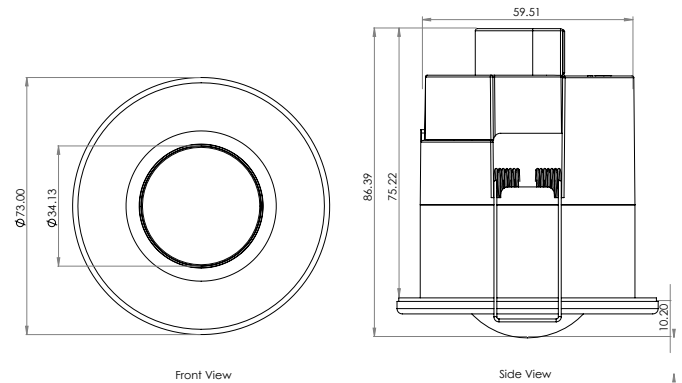
#### Order Codes

Product SKU	Description
0000000	IP65 Sensor - White
0000000	IP65 Sensor Surface Kit - White

#### Technical Specification

<b>Control</b>	Casambi
<b>Supply</b>	220-240VAC 50/60Hz
<b>Lens</b>	Fresnel
<b>Sensor</b>	PIR, Ambient Light
<b>Light Detection Range</b>	1-999 Lux
<b>Operating Temperature</b>	-10 to 55°C
<b>Wiring</b>	Loop in/loop out (No Earth)
<b>Terminal Capacity</b>	2.5mm <sup>2</sup>
<b>Material</b>	Flame Retardant ABS+PC
<b>Ingress Protection</b>	IP65 - Recessed (Front Only) or Surface Mounted (All)
<b>Cutout</b>	62-66mm
<b>Transceiver Frequency</b>	2.4GHz ISM Band
<b>Warranty</b>	5 Years

#### Dimensions - built-in mount



#### Dimensions - surface mount

